

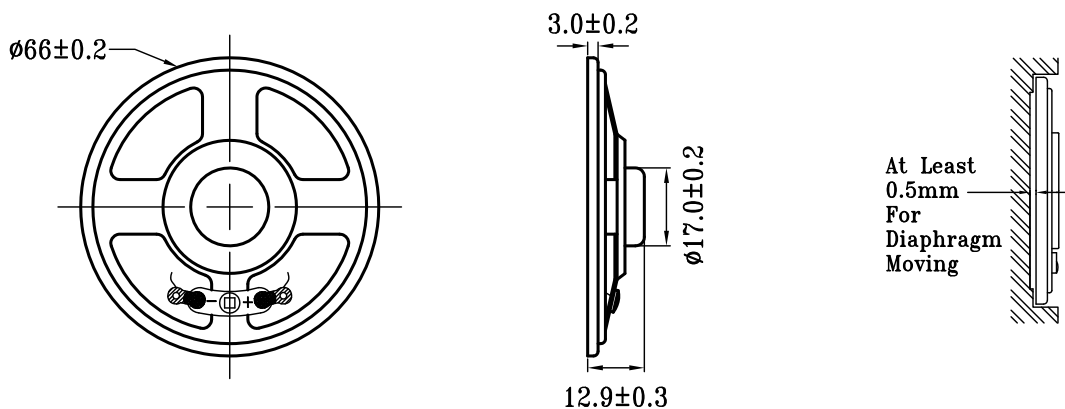
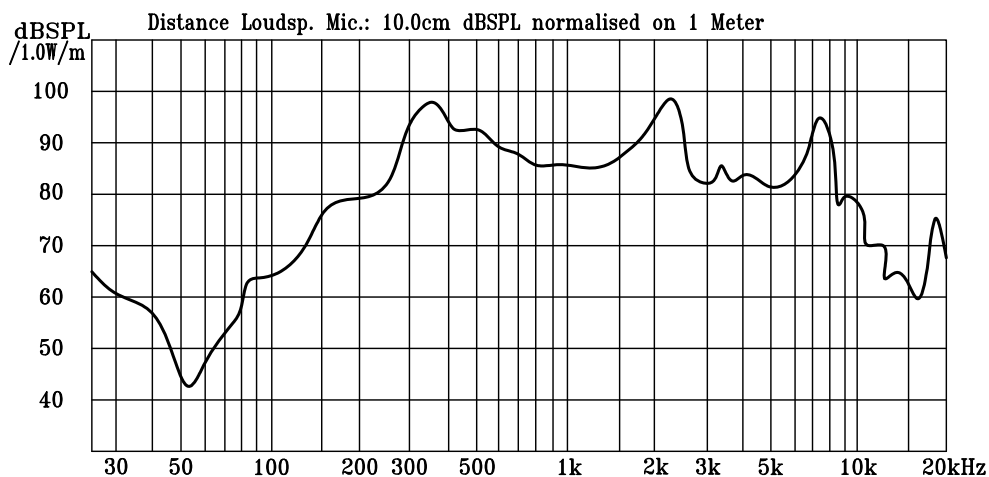
泉州豐群電子有限公司

C.C. FENG CHIUN ELECTRONIC CO., LTD.

OFFICE: TEL:+886-2-82271560
FAX:+886-2-82271561

FACTORY: TEL:+86-595-2632579
FAX:+86-595-2632580

1	MODEL	F66M04B(66CS08M-75BD ₁)
2	Dimension	Outer Diameter 66 mm Baffle Opening 60.0 mm. Height Refer to drawing Weight 16.5 Gram.
3	Magnet	Materials Rare Earth Size $\phi 12.95 \times 2.0$ mm.
4	Nominal Impedance	8 Ohm $\pm 15\%$
5	Power Rating	Normal 2.0 W. Maximum 3.0 W.
6	Lowest Resonant Frequency	350 \pm 70 Hz
7	Output Sound Pressure Level	89 \pm 3 dB / 1 Watt 1 Meter. Average at 500,600,800,1000 HZ
8	Frequency Range	200~9000 Hz. Average SPL-10 db.
9	Distortion	5 % Maximum At 1000 Hz 2.0 W.
10	Abnormal Sound Test	Must be Normally Tested By 4.0 Volts Sine Wave.
11	Load Test	White Noise with Weighted Filter 4.0 Volts. (RMS) 24 Hrs.
12	Operation Temperature	-25°C ~ +60°C
13	Storage Temperature	-40°C ~ +70°C
14	Polarity	Diaphragm shall move Forward when Apply a Positive DC Current to the "+" or "Marked" Terminal.
15	Remarks	Above specifications on the strength of CNS4784 and CNS4785.



Admitted:

Approved:

Made: