

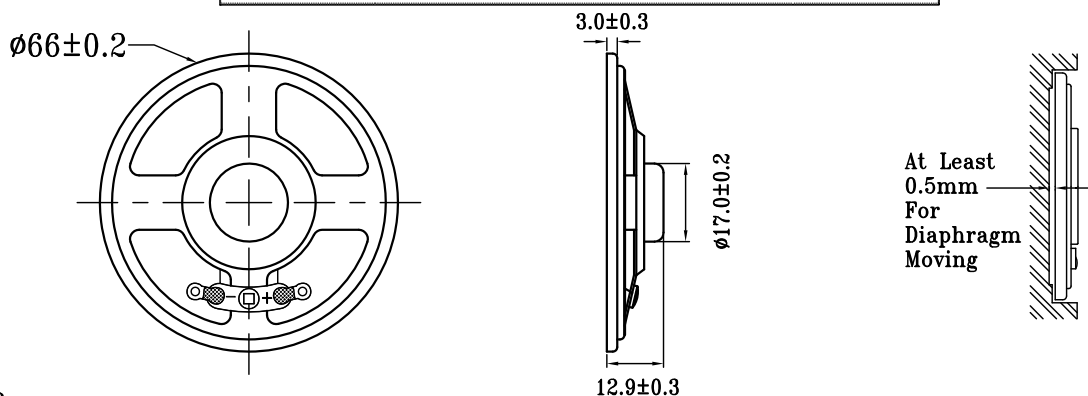
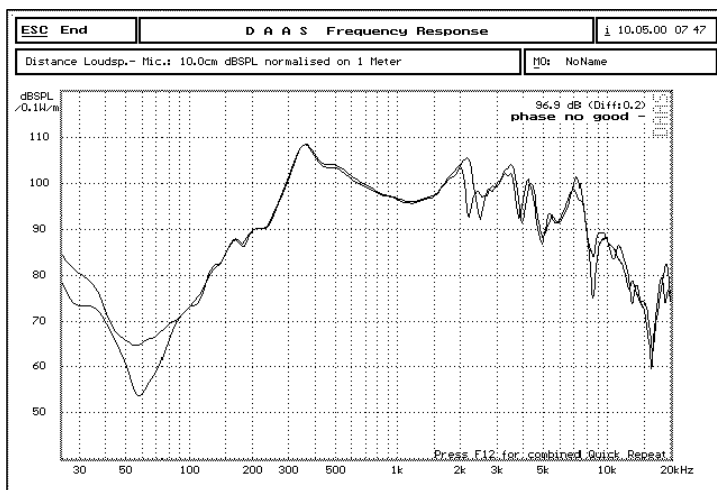
泉州豐群電子有限公司

C.C. FENG CHIUN ELECTRONIC CO., LTD.

OFFICE: TEL:+886-2-82522781
FAX:+886-2-82522782

FACTORY: TEL:+86-595-22632579
FAX:+86-595-22639258

1	MODEL	F66M02C(GP)(66CS16M-75BT1)
2	Dimension	Outer Diameter 66 mm Baffle Opening 60.6 mm.
		Height Refer to drawing Weight 17.5 Gram.
3	Magnet	Materials Rare Earth Size $\phi 12.5 \times 2.0$ mm.
4	Nominal Impedance	16 Ohm $\pm 15\%$
5	Power Rating	Normal 0.3 W. Maximum 0.5 W.
6	Lowest Resonant Frequency	390 \pm 78 Hz
7	Output Sound Pressure Level	100 \pm 3 dB / 0.1 Watt 0.1 Meter.
		Average at 500,600,800,1000 Hz
8	Frequency Range	200~4700 Hz. Average SPL-10 dB.
9	Distortion	5 % Maximum At 1000 Hz 0.3 W.
10	Abnormal Sound Test	Must be Normally Tested By 2.19 Volts Sine Wave.
11	Load Test	Pink Noise with Weighted Filter 2.19 Volts. (RMS) 24 Hrs.
12	Operation Temperature	-25°C ~ +60°C
13	Storage Temperature	-40°C ~ +70°C
14	Polarity	Diaphragm shall move Forward when Apply a Positive DC
		Current to the "+" or "Marked" Terminal.
15	Remarks	Above specifications on the strength of CNS4784 and CNS4785.



Unit:mm

Admitted:

Approved:

Made: