

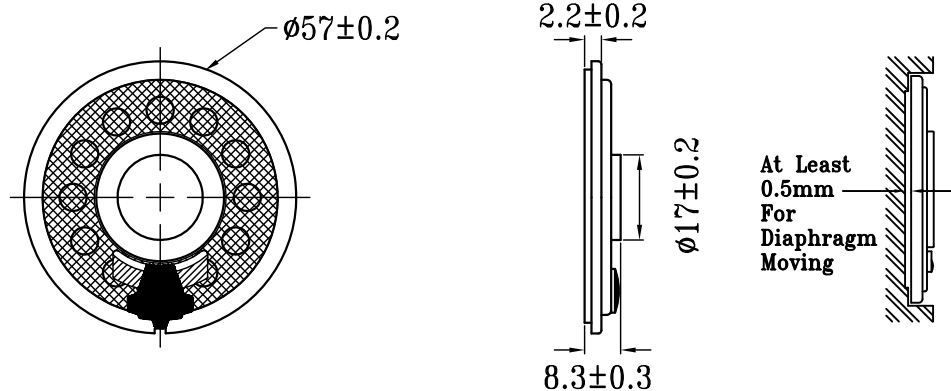
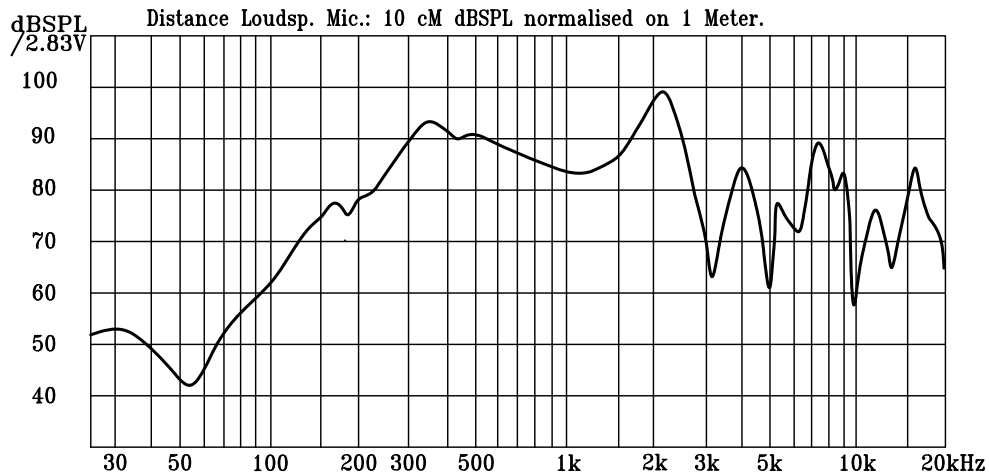
# 泉州豐群電子有限公司

## C.C. FENG CHIUN ELECTRONIC CO., LTD.

OFFICE: TEL:+886-2-82522781  
FAX:+886-2-82522782

FACTORY: TEL:+86-595-22632579  
FAX:+86-595-22639258

1	MODEL	F57M19B(GP)(57CS08M-75BD)
2	Dimension	Outer Diameter 57 mm Baffle Opening 51.5 mm.
		Height Refer to drawing Weight 19.0 Gram.
3	Magnet	Materials Rare Earth Size $\phi 12.5 \times 1.3$ mm.
4	Nominal Impedance	8 Ohm $\pm 15\%$
5	Power Rating	Normal 0.5 W. Maximum 1.5 W.
6	Lowest Resonant Frequency	400 $\pm$ 80 Hz
7	Output Sound Pressure Level	85 $\pm$ 3 dB / 1 Watt 1 Meter.
		Average at 600,800,1000,1200 Hz
8	Frequency Range	150~2800 Hz. Average SPL-10 dB.
9	Distortion	5 % Maximum At 1000 Hz 0.5 W.
10	Abnormal Sound Test	Must be Normally Tested By 2.0 Volts Sine Wave.
11	Load Test	Pink Noise with Weighted Filter 2.0 Volts. (RMS) 24 Hrs.
12	Operation Temperature	-25°C ~ +60°C
13	Storage Temperature	-40°C ~ +70°C
14	Polarity	Diaphragm shall move Forward when Apply a Positive DC
		Current to the "+" or "Marked" Terminal.
15	Remarks	Above specifications on the strength of CNS4784 and CNS4785.



Admitted:

Approved:

Made: