

# 泉州豐群電子有限公司

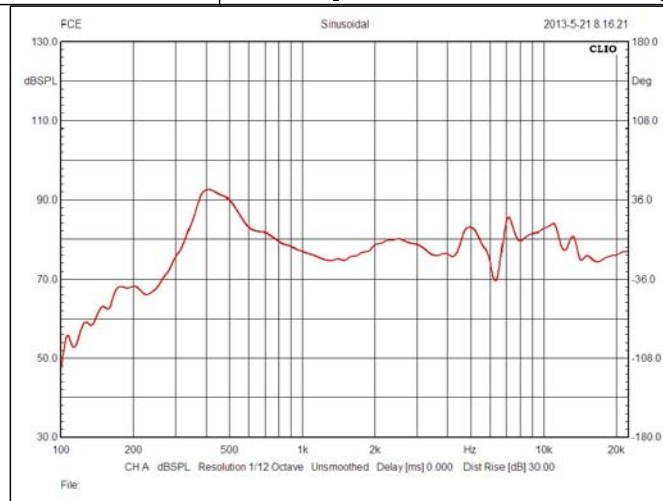
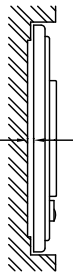
## C.C. FENG CHIUN ELECTRONIC CO., LTD.

OFFICE: TEL:+886-2-82522781  
FAX:+886-2-82522782

FACTORY: TEL:+86-595-22632579  
FAX:+86-595-22639258

1	MODEL	F50M103B(GP)(50CS08M11-100BD1-F)
2	Dimension	Outer Diameter 50 mm Baffle Opening 46.0 mm. Height Refer to drawing Weight 13.5 Gram.
3	Magnet	Materials Rare Earth Size $\phi 12.5 \times 1.0$ mm.
4	Nominal Impedance	8 Ohm $\pm 15\%$
5	Power Rating	Normal 1.0 W. Maximum 2.0 W.
6	Lowest Resonant Frequency	450 $\pm$ 90 Hz
7	Output Sound Pressure Level	79 $\pm$ 3 dB / 1 Watt 1 Meter. Average at 600,800,1000,1200 Hz
8	Frequency Range	270~20K Hz. Average SPL-10 dB.
9	Distortion	5 % Maximum At 1000 Hz 1.0 W.
10	Abnormal Sound Test	Must be Normally Tested By 2.83 Volts Sine Wave.
11	Load Test	White Noise with Weighted Filter 2.83 Volts. (RMS) 24 Hrs.
12	Operation Temperature	-25°C ~ +60°C
13	Storage Temperature	-40°C ~ +70°C
14	Polarity	Diaphragm shall move Forward when Apply a Positive DC Current to the "+" or "Marked" Terminal.
15	Remarks	Above specifications on the strength of CNS4784 and CNS4785.

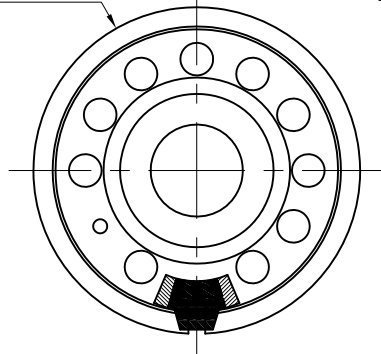
At Least  
1.0mm  
For  
Diaphragm  
Moving



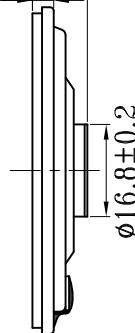
### Bill of Material

DIAPHRAGM	PET
-----------	-----

$\phi 50 \pm 0.2$



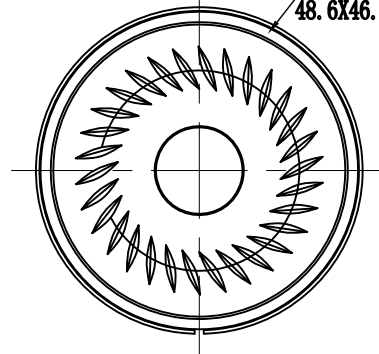
$3.0 \pm 0.2$   $8.3 \pm 0.3$



$\phi 16.8 \pm 0.2$

紙墊圈

48.6X46.0X2.2



Unit:mm

Admitted:

Approved:

Made: