

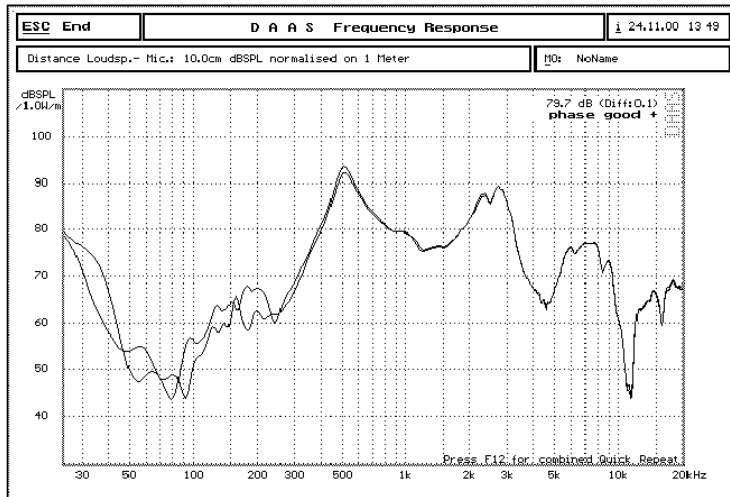
泉州豐群電子有限公司

C.C. FENG CHIUN ELECTRONIC CO., LTD.

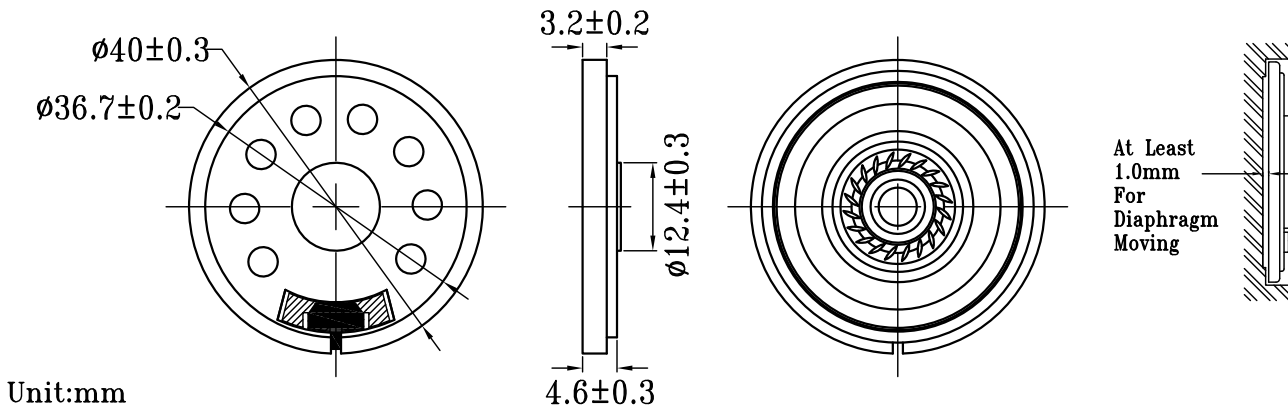
OFFICE: TEL:+886-2-82522781
FAX:+886-2-82522782

FACTORY: TEL:+86-595-22632579
FAX:+86-595-22639258

1	MODEL	F40P02C(GP)(40CS16PS-75ND)
2	Dimension	Outer Diameter 40 mm Baffle Opening 37.0 mm.
		Height Refer to drawing Weight 4.0 Gram.
3	Magnet	Materials Rare Earth Size $\phi 9.5 \times 1.5$ mm.
4	Nominal Impedance	16 Ohm $\pm 15\%$
5	Power Rating	Normal 0.2 W. Maximum 0.4 W.
6	Lowest Resonant Frequency	510 \pm 102 Hz
7	Output Sound Pressure Level	80 \pm 3 dB / 1 Watt 1 Meter.
		Average at 600,800,1000,1200 Hz
8	Frequency Range	320~3800 Hz. Average SPL-10 dB.
9	Distortion	5 % Maximum At 1000 Hz 0.2 W.
10	Abnormal Sound Test	Must be Normally Tested By 1.79 Volts Sine Wave.
11	Load Test	White Noise with Weighted Filter 1.79 Volts. (RMS) 24 Hrs.
12	Operation Temperature	-25°C ~ +60°C
13	Storage Temperature	-40°C ~ +70°C
14	Polarity	Diaphragm shall move Forward when Apply a Positive DC
		Current to the "+" or "Marked" Terminal.
15	Remarks	Above specifications on the strength of CNS4784 and CNS4785.



Bill of Material	
DIAPHRAGM	PET



Admitted:

Approved:

Made: