

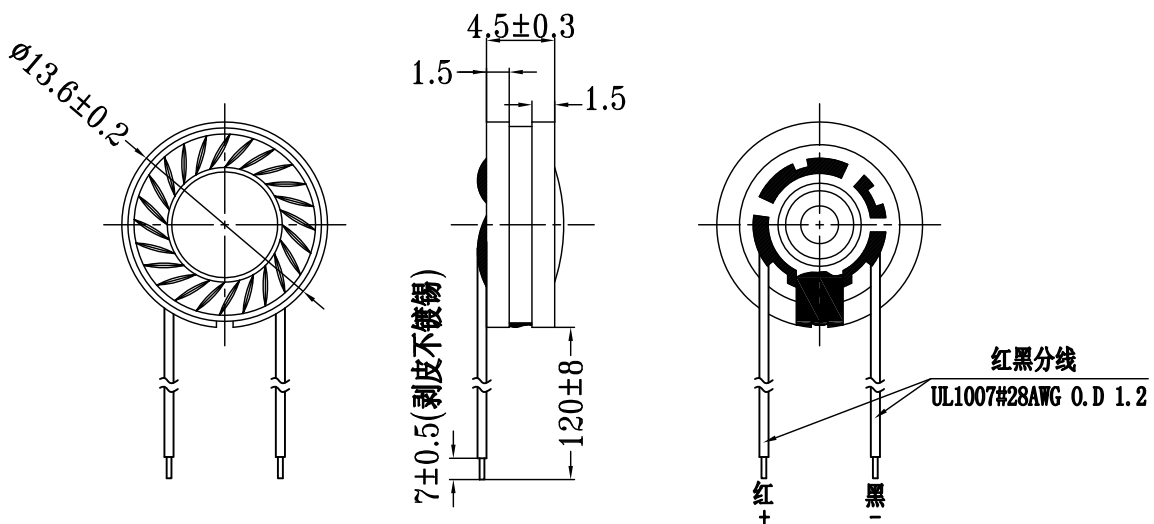
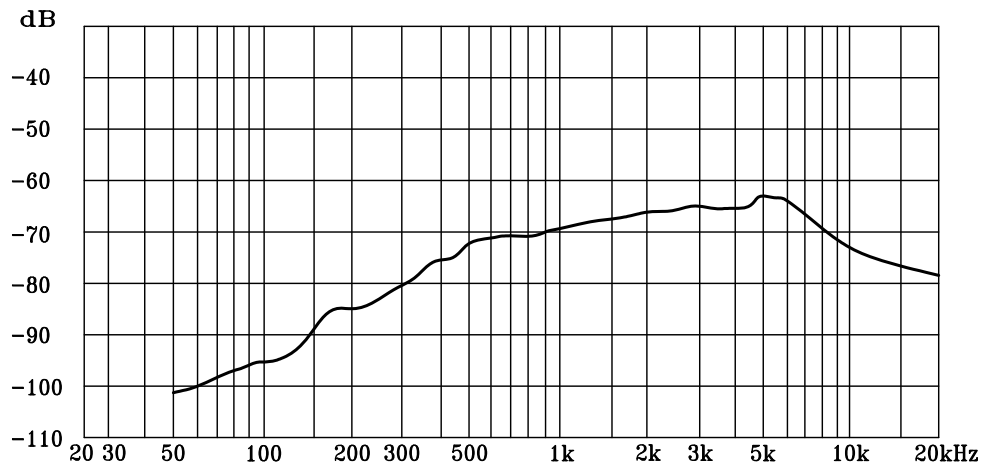
泉州豐群電子有限公司

C.C. FENG CHIUN ELECTRONIC CO., LTD.

OFFICE: TEL:+886-2-82522781
FAX:+886-2-82522782

FACTORY: TEL:+86-595-22632579
FAX:+86-595-22632580

1	Model	DM-35T(GP)
2	Dimension	ø13.6X4.5H Weight: 3.0 Grams.
3	Magnet Materials	Rare Earth
4	Nominal Impedance	150 Ohm ± 15%
5	Frequency Range	400 ~ 8K Hz.
6	Sensitivity	0°-90±3dB(0dB=1V/bar at 1KHz)
7	Directivity	Hypercardioid
8	Casing	ABS



Unit:mm

Admitted:

Approved:

Made: