



泉州豐群電子有限公司

C.C. FENG CHIUN ELECTRONIC CO., LTD.

OFFICE: TEL:+886-2-82522781
FAX:+886-2-82522782

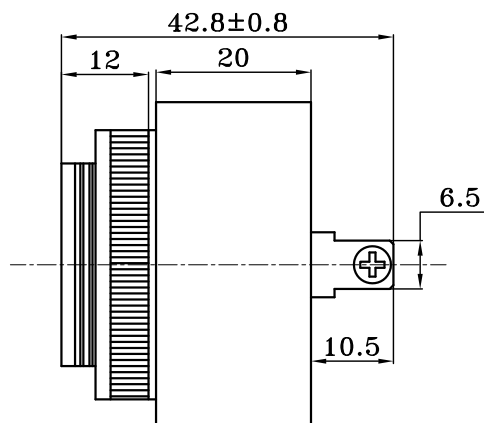
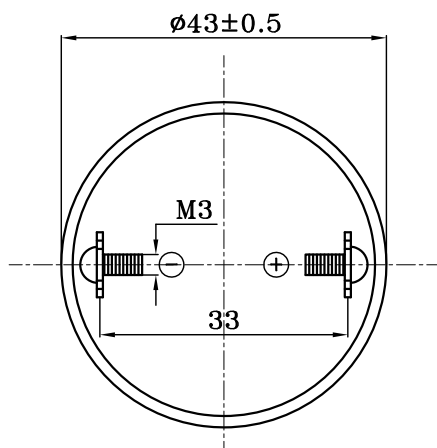
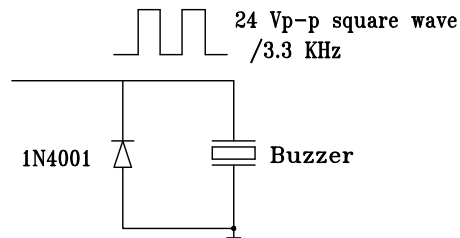
FACTORY: TEL:+86-595-22632579
FAX:+86-595-22639258

| | | | |
|----|---------------------|------------------------------------------------------------------------------|---------------------------------------------------------------------------------|
| 1 | Magnetic Buzzer | Model: | 43FMT002(GP) |
| 2 | Dimension | ø43.0X42.8 mm. | Weight: 36 Grams. |
| 3 | Resonant Frequency | 2900 ± 500Hz. | |
| 4 | Capacitance | ± 30% PF | |
| 5 | Voltage Rating | Rated Voltage: 24 Vp-p square wave. Operating Voltage:6~28Vp-p square wave. | |
| 6 | Sound Output | Min. 90 db. | Measured at 30 cm, rated voltage input, 1/2 duty cycle, square wave at 2900 Hz. |
| 7 | Current consumption | Max. 25 mA. | With 1 0hm resistor series, 2900 Hz. 1/2 duty cycle, square wave. |
| 8 | Storage Temperature | -30 °C ~ +80 °C | |
| 9 | Load test | After 96 hours actual continuous operation, with no abnormality shall exist. | |
| 10 | Polarity | Mark "+" should connect to power supply positive end. | |
| 11 | Lead Temperature | Less than 10 Seconds 260 °C. | |

Recommended Driving Circuit



Resonant frequency, 1/2 duty cycle, square wave.
Signal amplitude should be large enough to saturate the transistor.



Unit:mm

Admitted:

Approved:

Made: