

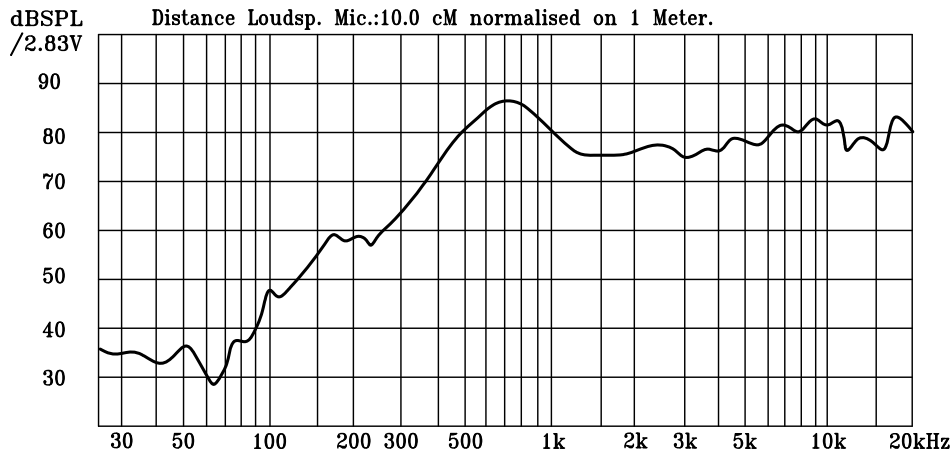
泉州豐群電子有限公司

C.C. FENG CHIUN ELECTRONIC CO., LTD.

OFFICE: TEL:+886-2-82522781
FAX:+886-2-82522782

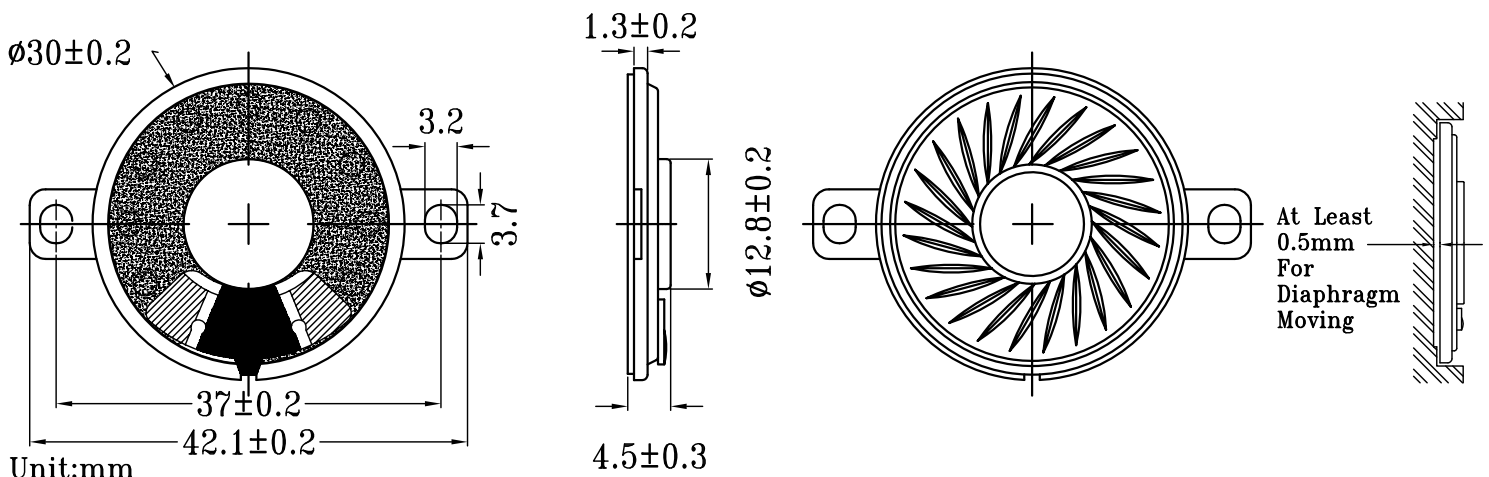
FACTORY: TEL:+86-595-22632579
FAX:+86-595-22639258

1	MODEL	F30M52B(GP)(30CS08MHX-75BD2)
2	Dimension	Outer Diameter 30 mm Baffle Opening 27.2 mm.
		Height Refer to drawing Weight 6.8 Gram.
3	Magnet	Materials Rare Earth Size $\phi 9.5 \times 1.5$ mm.
4	Nominal Impedance	8 Ohm $\pm 15\%$ At 1000 Hz
5	Power Rating	Normal 2.0 W. Maximum 3.0 W.
6	Lowest Resonant Frequency	720 \pm 144 Hz
7	Output Sound Pressure Level (S.P.L.)	79 \pm 3 dB / 1 Watt 1 Meter.
		Average at 800,1000,1200,1500 Hz
8	Frequency Range	380~20K Hz. Average SPL-10 dB.
9	Distortion	5 % Maximum At 1000 Hz 2.0 W.
10	Abnormal Sound Test	Must be Normally Tested By 4.0 Volts Sine Wave.
11	Load Test	White Noise with Weighted Filter 4.0 Volts. (RMS) 24 Hrs.
12	Operation Temperature	-25°C ~ +60°C
13	Storage Temperature	-40°C ~ +70°C
14	Polarity	Diaphragm shall move Forward when Apply a Positive DC
		Current to the "+" or "Marked" Terminal.
15	Remarks	Above specifications on the strength of CNS4784 and CNS4785.



Bill of Material

DIAPHRAGM	PET
-----------	-----



Admitted:

Approved:

Made: