

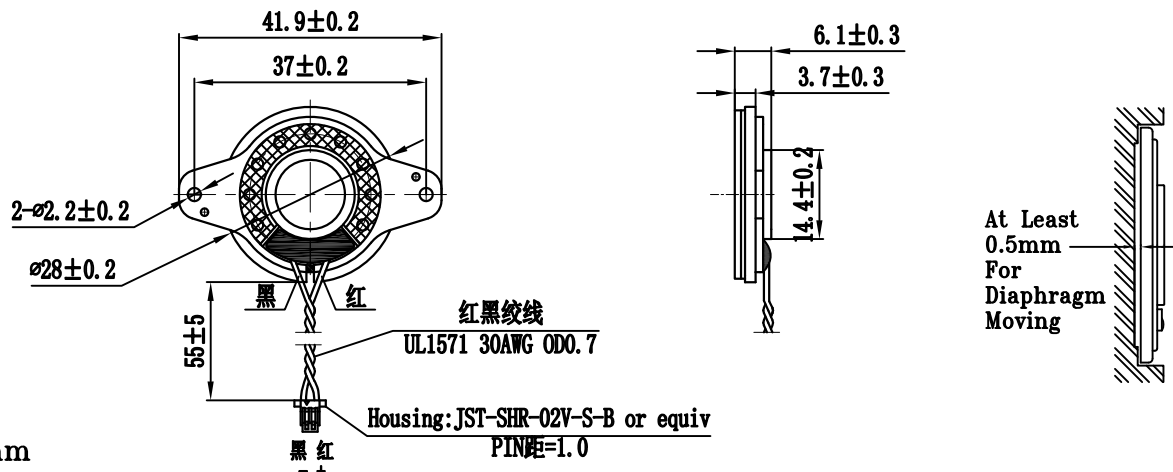
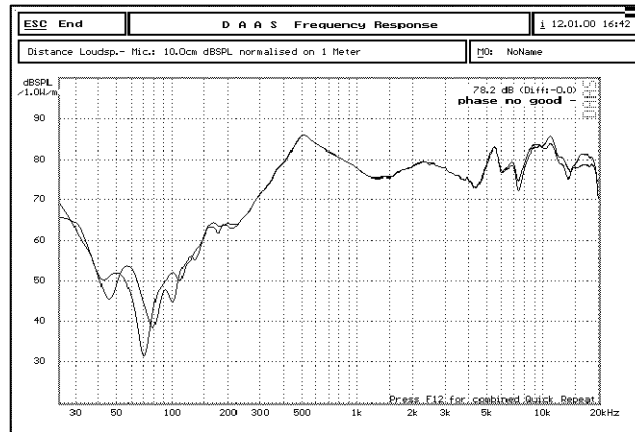
泉州豐群電子有限公司

C.C. FENG CHIUN ELECTRONIC CO., LTD.

OFFICE: TEL:+886-2-82522781
FAX:+886-2-82522782

FACTORY: TEL:+86-595-22632579
FAX:+86-595-22639258

1	MODEL	F28P31B(GP)(28CS08P-50BT4+WIRE)
2	Dimension	Outer Diameter 28 mm Baffle Opening 24.8 mm.
		Height Refer to drawing Weight 2.8 Gram.
3	Magnet	Materials Rare Earth Size $\phi 9.5 \times 1.5$ mm.
4	Nominal Impedance	8 Ohm $\pm 15\%$
5	Power Rating	Normal 1.0 W. Maximum 1.5 W.
6	Lowest Resonant Frequency	500 \pm 100 Hz
7	Output Sound Pressure Level	79 \pm 3 db / 1 Watt 1 Meter.
		Average at 600,800,1000,1200 HZ
8	Frequency Range	280~20K Hz. Average SPL-10 db.
9	Distortion	5 % Maximum At 1000 Hz 1.0 W.
10	Abnormal Sound Test	Must be Normally Tested By 2.83 Volts Sine Wave.
11	Load Test	White Noise with Weighted Filter 2.83 Volts. (RMS) 24 Hrs.
12	Operation Temperature	-25°C ~ +60°C
13	Storage Temperature	-40°C ~ +70°C
14	Polarity	Diaphragm shall move Forward when Apply a Positive DC
		Current to the "+" or "Marked" Terminal.
15	Remarks	Above specifications on the strength of CNS4784 and CNS4785.



Admitted:

Approved:

Made: