

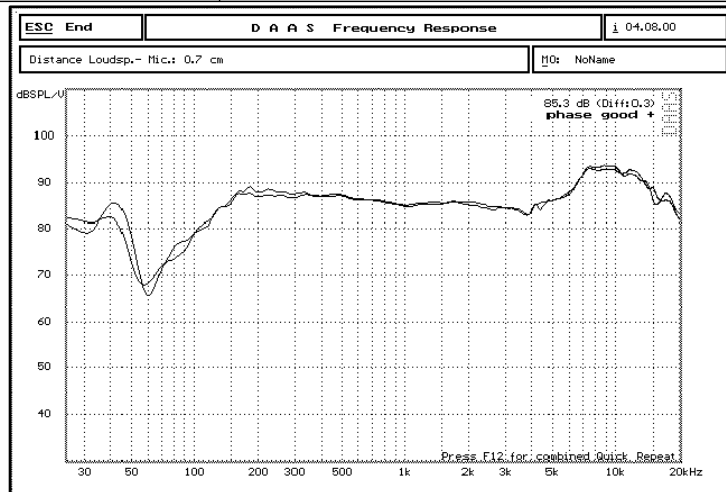
泉州豐群電子有限公司

C.C. FENG CHIUN ELECTRONIC CO., LTD.

OFFICE: TEL:+886-2-82522781
FAX:+886-2-82522782

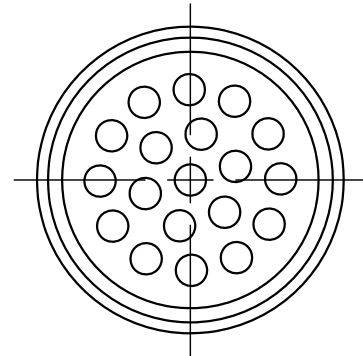
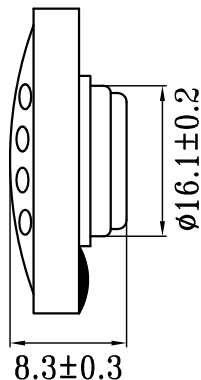
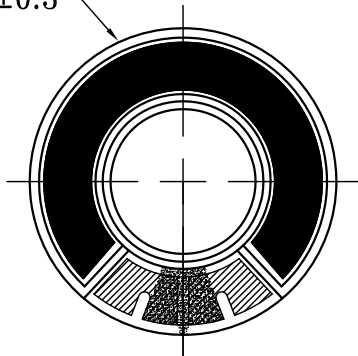
FACTORY: TEL:+86-595-22632579
FAX:+86-595-22639258

1	MODEL	F27P09R(GP)(27CS300PX-16NT+COVER)
2	Dimension	Outer Diameter 27 mm Baffle Opening mm.
		Height Refer to drawing Weight 5.5 Gram.
3	Magnet	Materials Rare Earth Size $\phi 12.5 \times 1.5$ mm.
4	Nominal Impedance	300 Ohm $\pm 15\%$
5	Power Rating	Normal 0.02 W. Maximum 0.03 W.
6	Lowest Resonant Frequency	200 \pm 40 Hz
7	Output Sound Pressure Level	86 \pm 3 dB / 1 mW 1 cM.
		Average at 300,400,500,600 Hz
8	Frequency Range	90~20K Hz. Average SPL-10 dB.
9	Distortion	5 % Maximum At 1000 Hz 0.02 W.
10	Abnormal Sound Test	Must be Normally Tested By 2.45 Volts Sine Wave.
11	Load Test	White Noise with Weighted Filter 2.45 Volts. (RMS) 24 Hrs.
12	Operation Temperature	-25°C ~ +50°C
13	Storage Temperature	-40°C ~ +60°C
14	Polarity	Diaphragm shall move Forward when Apply a Positive DC
		Current to the "+" or "Marked" Terminal.
15	Remarks	Above specifications on the strength of CNS4784 and CNS4785.



Bill of Material	
DIAPHRAGM	PET

$\phi 27 \pm 0.3$



Unit:mm

Admitted:

Approved:

Made: