

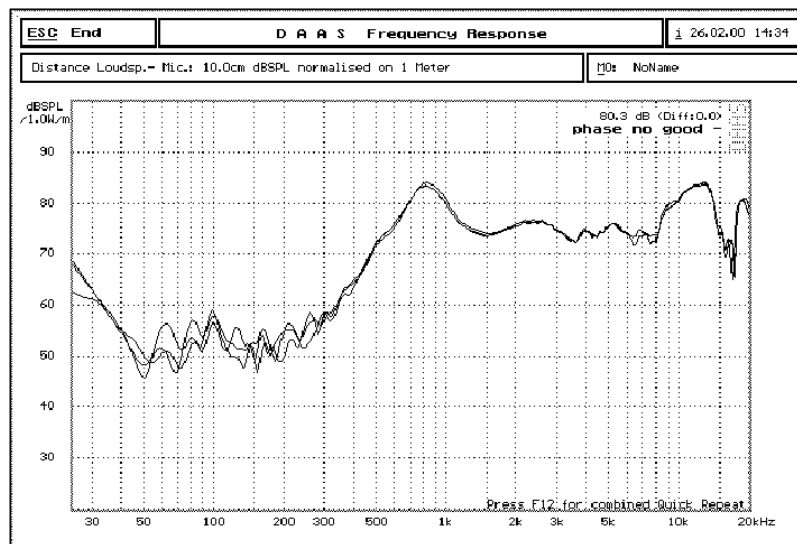
泉州豐群電子有限公司

C.C. FENG CHIUN ELECTRONIC CO., LTD.

OFFICE: TEL:+886-2-82522781
FAX:+886-2-82522782

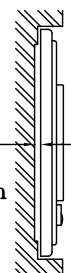
FACTORY: TEL:+86-595-22632579
FAX:+86-595-22639258

1	MODEL	F26M83B(GP)26CS08MH1X-75BD1+WIRE
2	Dimension	Outer Diameter 26 mm Baffle Opening 23.5 mm.
		Height Refer to drawing Weight 13.5 Gram.
3	Magnet	Materials Rare Earth Size $\phi 9.5 \times 1.5$ mm.
4	Nominal Impedance	8 Ohm $\pm 15\%$
5	Power Rating	Normal 1.0 W. Maximum 1.5 W.
6	Lowest Resonant Frequency	820 \pm 164 Hz
7	Output Sound Pressure Level	76 ± 3 dB / 1 Watt 1 Meter.
		Average at 1000,1200,1500,2000 Hz
8	Frequency Range	430~20K Hz. Average SPL-10 dB.
9	Distortion	5 % Maximum At 1000 Hz 1.0 W.
10	Abnormal Sound Test	Must be Normally Tested By 2.83 Volts Sine Wave.
11	Load Test	Pink Noise with Weighted Filter 2.83 Volts. (RMS) 24 Hrs.
12	Operation Temperature	-25°C ~ +60°C
13	Storage Temperature	-40°C ~ +70°C
14	Polarity	Diaphragm shall move Forward when Apply a Positive DC
		Current to the "+" or "Marked" Terminal.
15	Remarks	Above specifications on the strength of CNS4784 and CNS4785.



Dimension:
details see drawing name "F26M83B(GP)外觀圖".

At Least
0.5mm
For
Diaphragm
Moving

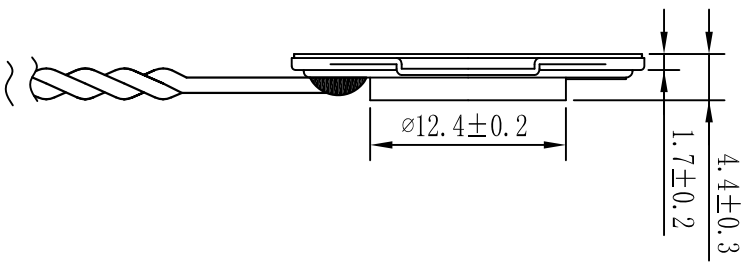
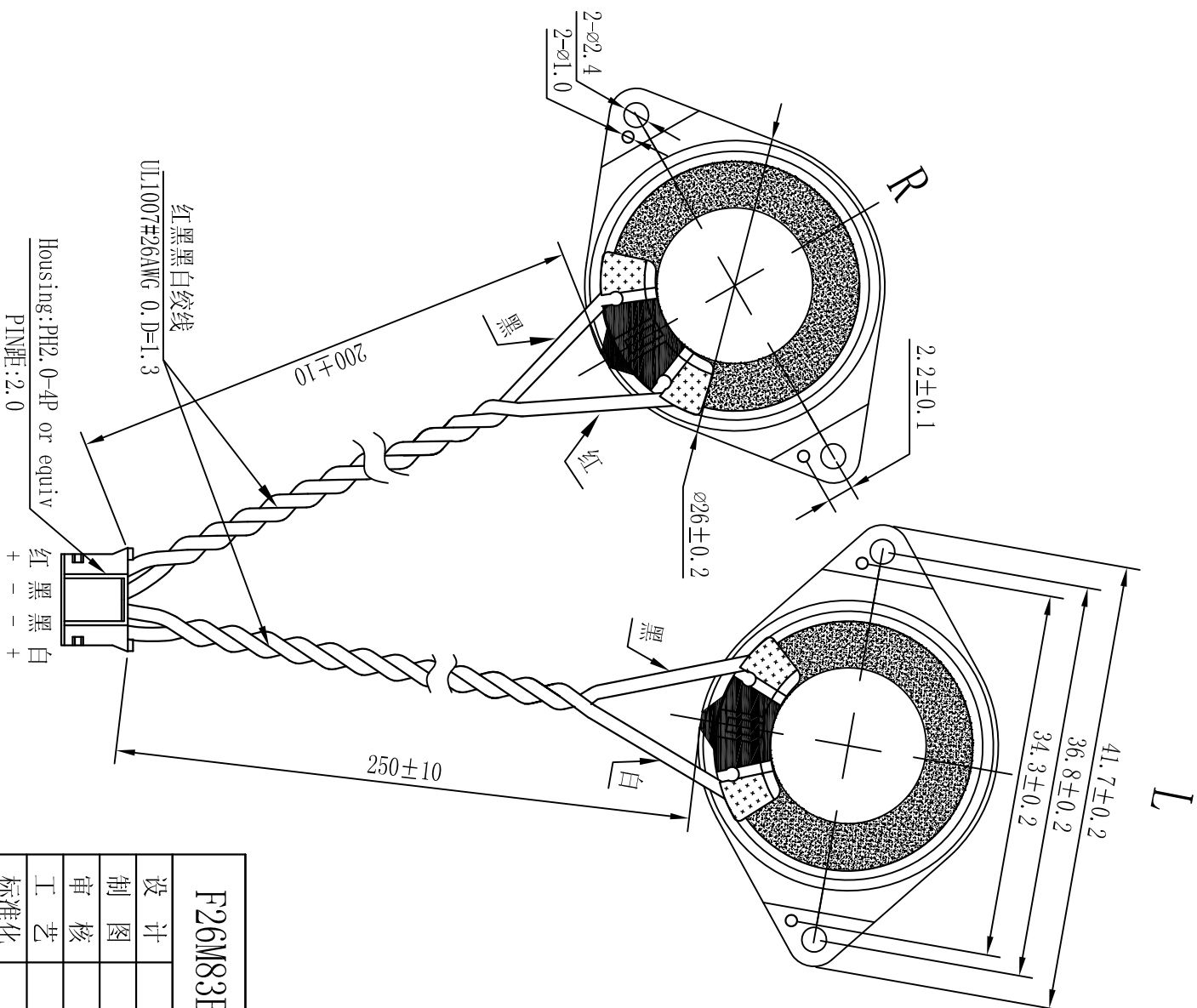


Unit:mm

Admitted:

Approved:

Made:



F26M83B (GP) 外观图

设计		产品名称		F26M83B ((GP) 型扬声器	
制图		图号		FC-F26M83B ((GP)-00	
审核		料号			
工艺		比例		2:1	
标准		材料		数量	
批准		共 1 页		第 1 页	
		泉州豐勤電子有限公司 QUANZHOU FENQIN ELECTRONIC CO., LTD.			