

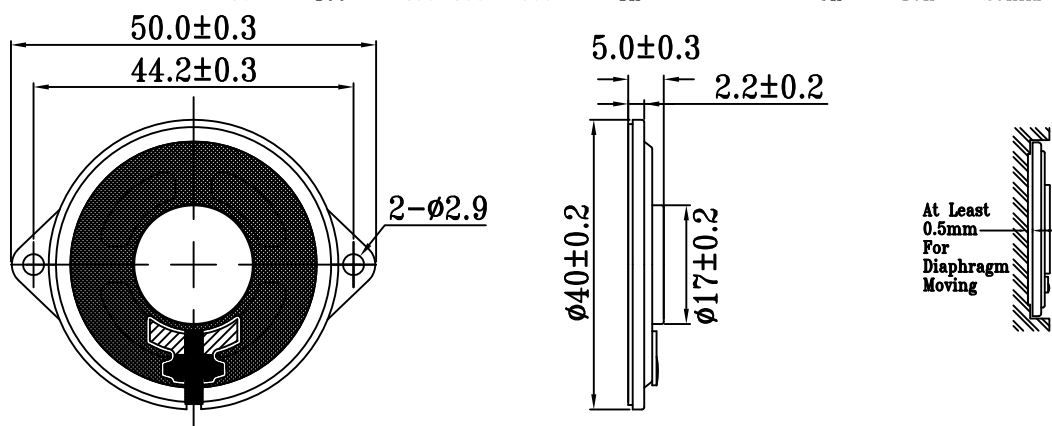
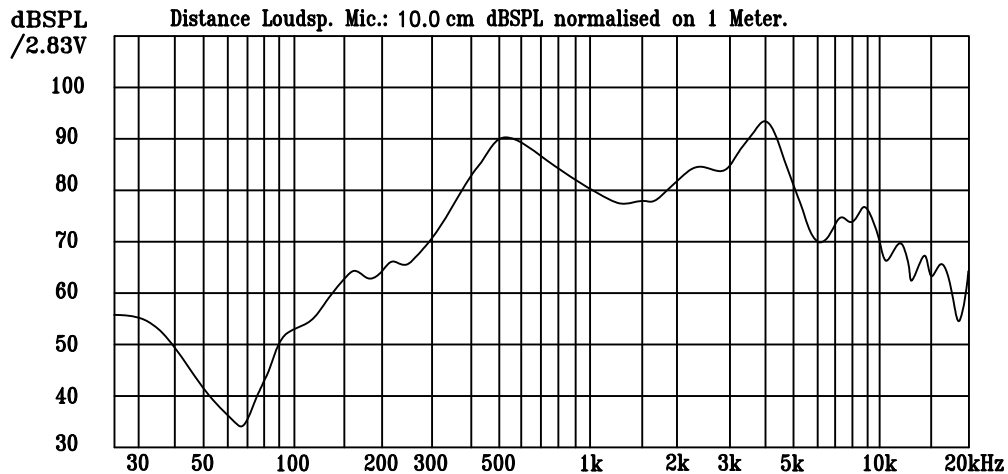
泉州豐群電子有限公司

C.C. FENG CHIUN ELECTRONIC CO., LTD.

OFFICE: TEL:+886-2-82522781
FAX:+886-2-82522781

FACTORY: TEL:+86-595-2632579
FAX:+86-595-2639258

1	MODEL	F40M08B(GP)(40CS08MHX-75BD1)
2	Dimension	Outer Diameter 40 mm Baffle Opening 35.5 mm.
		Height Refer to drawing Weight 9.7 Gram.
3	Magnet	Materials Rare Earth Size $\phi 12.5 \times 1.5$ mm.
4	Nominal Impedance	8 Ohm $\pm 15\%$
5	Power Rating	Normal 1.0 W. Maximum 2.0 W.
6	Lowest Resonant Frequency	510 \pm 102 Hz
7	Output Sound Pressure Level	83 \pm 3 dB / 1 Watt 1 Meter.
		Average at 600,800,1000,1200 Hz
8	Frequency Range	330~5500 Hz. Average SPL-10 dB.
9	Distortion	5 % Maximum At 1000 Hz 1.0 W.
10	Abnormal Sound Test	Must be Normally Tested By 2.83 Volts Sine Wave.
11	Load Test	White Noise with Weighted Filter 2.83 Volts. (RMS) 24 Hrs.
12	Operation Temperature	-25°C ~ +60°C
13	Storage Temperature	-40°C ~ +70°C
14	Polarity	Diaphragm shall move Forward when Apply a Positive DC
		Current to the "+" or "Marked" Terminal.
15	Remarks	Above specifications on the strength of CNS4784 and CNS4785.



Unit:mm

Admitted:

Approved:

Made: