

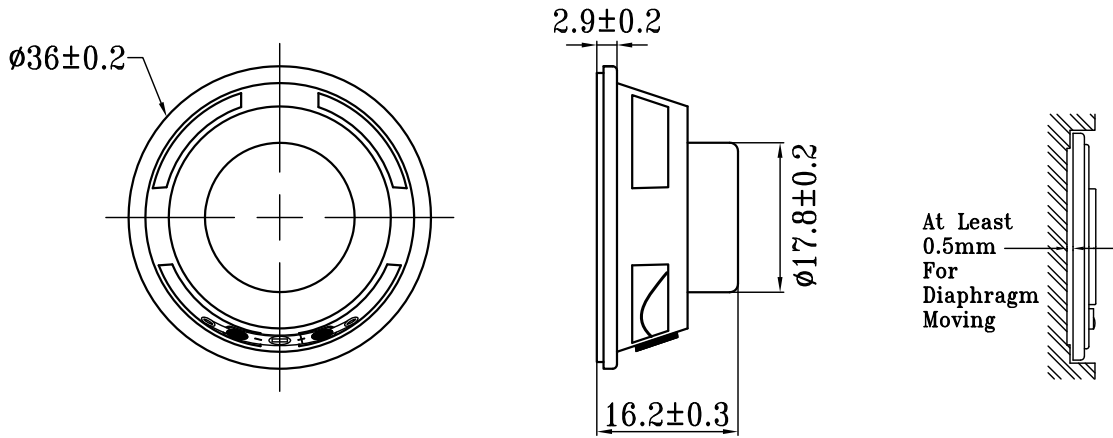
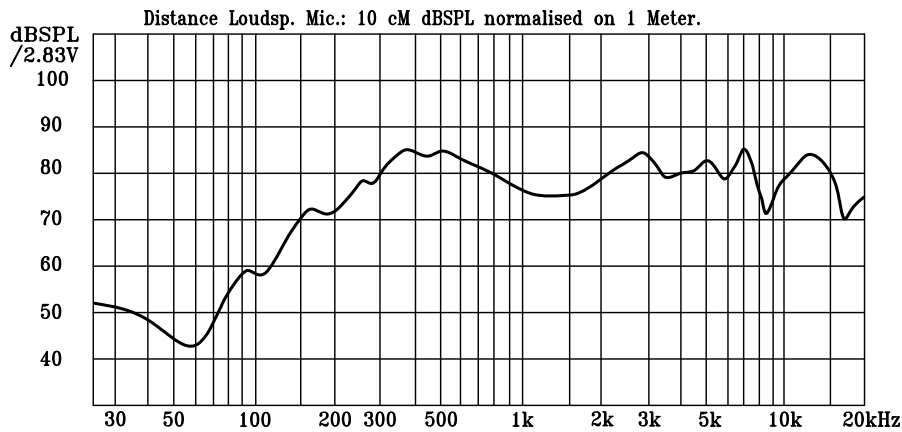
# 泉州豐群電子有限公司

## C.C. FENG CHIUN ELECTRONIC CO., LTD.

OFFICE: TEL:+886-2-82271560  
FAX:+886-2-82271561

FACTORY: TEL:+86-595-22632579  
FAX:+86-595-22632580

1	MODEL	36CP08H(GP)
2	Dimension	Outer Diameter 36 mm Baffle Opening 32.3 mm.
		Height Refer to drawing Weight 14.8 Gram.
3	Magnet	Materials Rare Earth Size $\phi 12.5 \times 3.0$ mm.
4	Nominal Impedance	8 Ohm $\pm 15\%$ At 1000 Hz
5	Power Rating	Normal 2.0 W. Maximum 3.0 W.
6	Lowest Resonant Frequency	320 $\pm$ 64 Hz
7	Output Sound Pressure Level (S.P.L.)	81 $\pm$ 3 dB / 1 Watt 1 Meter.
		Average at 500,600,800,1000 Hz
8	Frequency Range	150~20K Hz. Average SPL-10 dB.
9	Distortion	5 % Maximum At 1000 Hz 2.0 W.
10	Abnormal Sound Test	Must be Normally Tested By 4.0 Volts Sine Wave.
11	Load Test	White Noise with Weighted Filter 4.0 Volts. (RMS) 96 Hrs.
12	Operation Temperature	-25°C ~ +70°C
13	Storage Temperature	-40°C ~ +85°C
14	Polarity	Diaphragm shall move Forward when Apply a Positive DC
		Current to the "+" or "Marked" Terminal.
15	Remarks	Above specifications on the strength of CNS4784 and CNS4785.



Admitted:

Approved:

Made: