

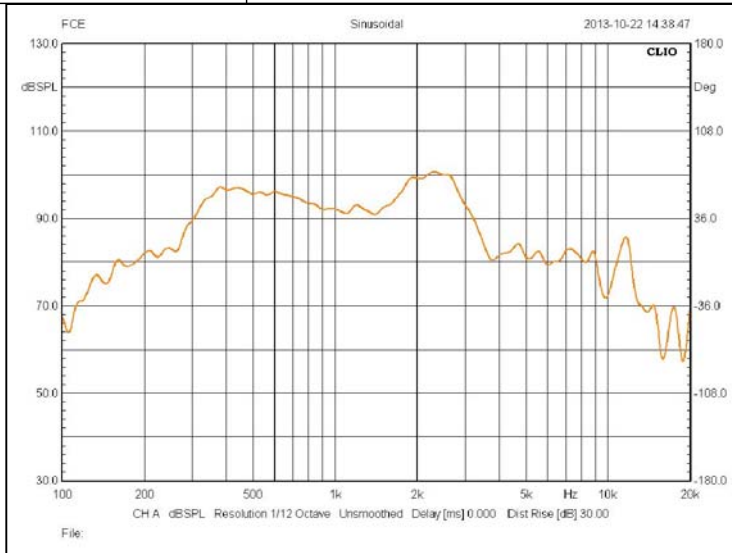
# 泉州豐群電子有限公司

## C.C. FENG CHIUN ELECTRONIC CO., LTD.

OFFICE: TEL:+886-2-82522781  
FAX:+886-2-82522782

FACTORY: TEL:+86-595-22632579  
FAX:+86-595-22639258

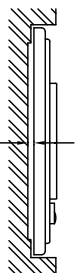
1	MODEL	57FLP08M25-1(GP)			
2	Dimension	Outer Diameter	57.0 mm	Baffle Opening	51.2 mm.
		Height Refer to drawing	Weight	117.5	Gram.
3	Magnet	Materials	Ferrite	Size	ø45Xø22X8 Y35 mm.
4	Nominal Impedance	8	Ohm	± 15 %	
5	Power Rating	Normal	3.0	W.	Maximum 5.0 W.
6	Lowest Resonant Frequency	460	±	92	Hz
7	Output Sound Pressure Level	92 ± 3 dB / 1 Watt 0.5 Meter.			
		Average at	600,800,1000,1200	Hz	
8	Frequency Range	240~20K	Hz.	Average SPL-10	dB.
9	Distortion	5 %	Maximum At	1000	Hz 1.0 W.
10	Abnormal Sound Test	Must be Normally Tested By 4.89 Volts Sine Wave.			
11	Load Test	White Noise with Weighted Filter 4.89 Volts. (RMS) 96 Hrs.			
12	Operation Temperature	-25°C ~ +70°C			
13	Storage Temperature	-40°C ~ +85°C			
14	Polarity	Diaphragm shall move Forward when Apply a Positive DC			
		Current to the "+" or "Marked" Terminal.			
15	Remarks	Above specifications on the strength of CNS4784 and CNS4785.			



Bill of Material	
ITEM	SPEC.
SURROUND	PAPER
DIAPHRAGM	PAPER
DUST CAP	PAPER

Dimension:  
details see drawing name “57FLP08M25-1(GP)外觀圖”。

At Least  
1.0mm  
For  
Diaphragm  
Moving

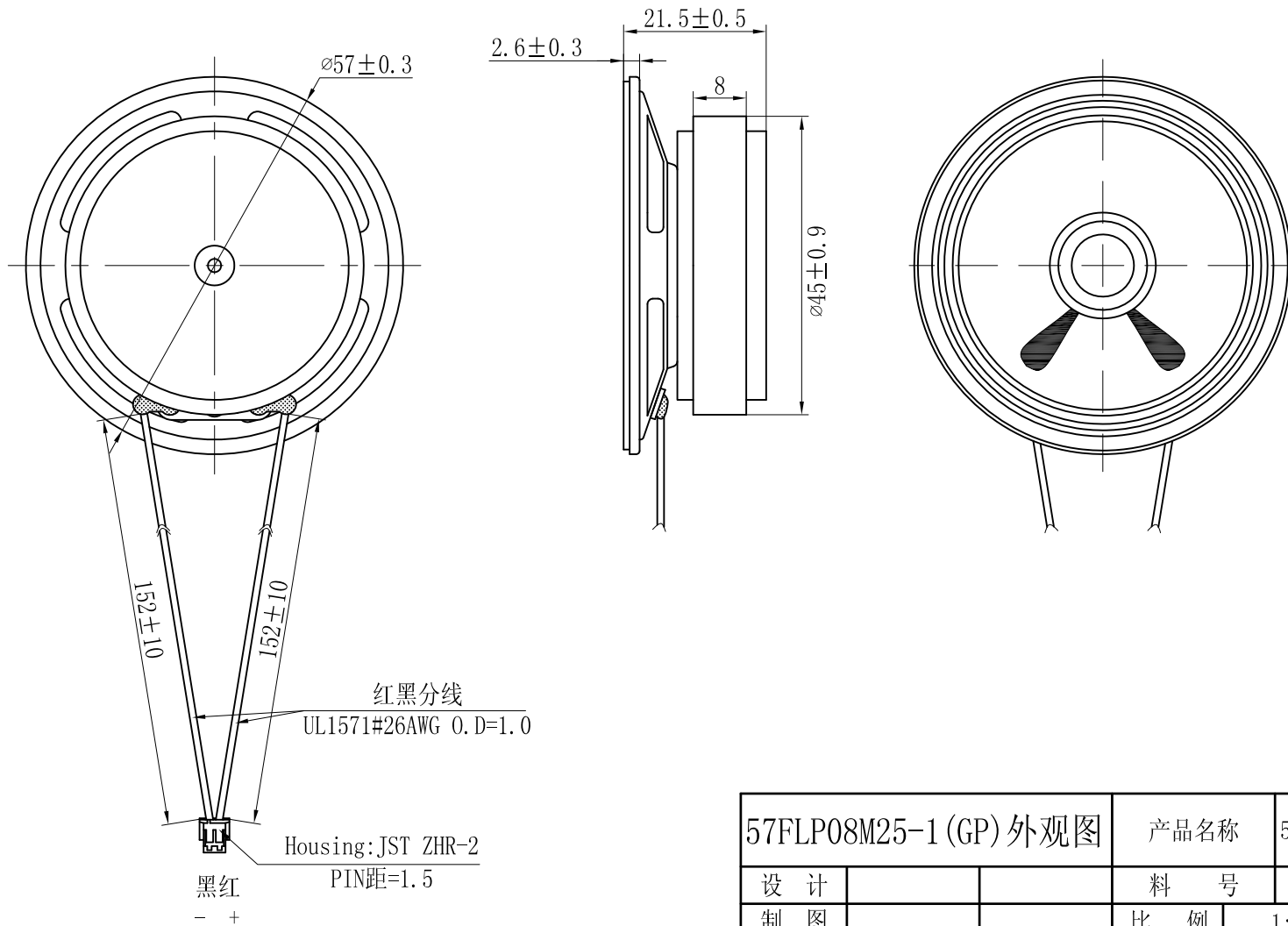


Unit:mm

Admitted:

Approved:

Made:



57FLP08M25-1 (GP) 外观图			产品名称		57FLP08M25-1 (GP) 型扬声器	
设计			料号			
制图			比例	1:1	数量	
审核			材料		重量	
工艺			共 1 页 第 1 页			
标准化			泉州豐勤電子有限公司 QUANZHOU FENGQIN ELECTRONIC CO., LTD.			
批准						