

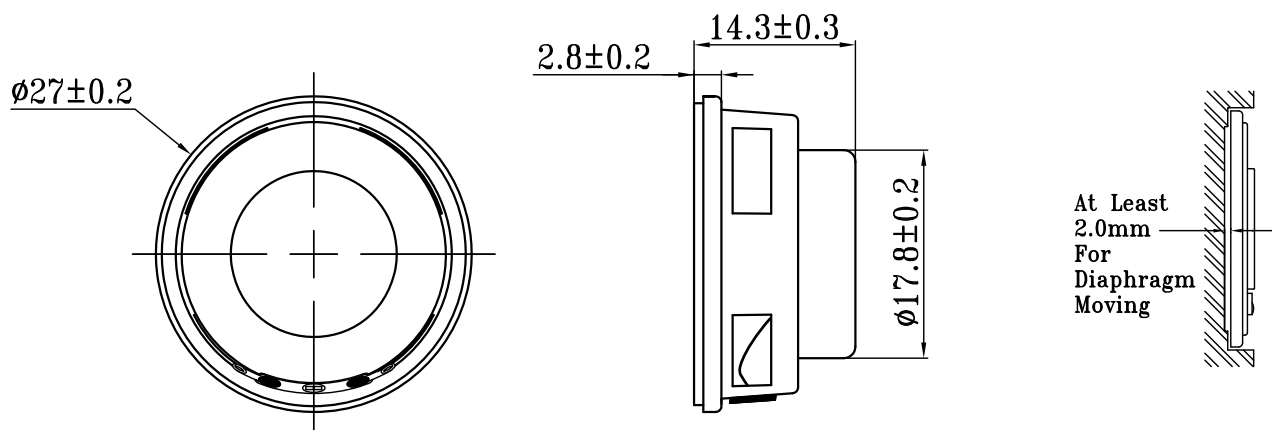
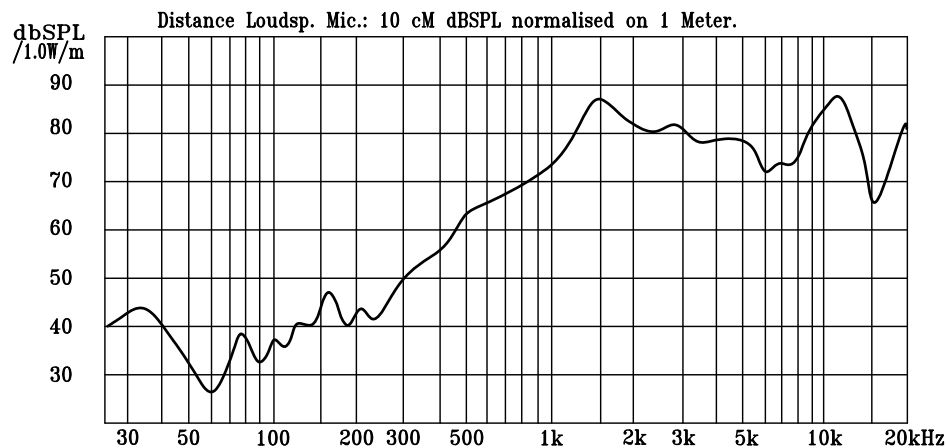
# 泉州豐群電子有限公司

## C.C. FENG CHIUN ELECTRONIC CO., LTD.

OFFICE: TEL:+886-2-82522781  
FAX:+886-2-82522782

FACTORY: TEL:+86-595-22632579  
FAX:+86-595-22639258

1	MODEL	27CP04M1(GP)
2	Dimension	Outer Diameter 27 mm Baffle Opening 24.0 mm.
		Height Refer to drawing Weight 11.8 Gram.
3	Magnet	Materials Rare Earth Size $\phi 12.5 \times 3.0$ mm.
4	Nominal Impedance	4 Ohm $\pm 15\%$
5	Power Rating	Normal 1.0 W. Maximum 2.0 W.
6	Lowest Resonant Frequency	1450 $\pm$ 290 Hz
7	Output Sound Pressure Level	80 $\pm$ 3 db / 1 Watt 1 Meter.
		Average at 2000,2500,3000,4000 Hz
8	Frequency Range	800~20K Hz. Average SPL-10 db.
9	Distortion	5 % Maximum At 1000 Hz 2.0 W.
10	Abnormal Sound Test	Must be Normally Tested By 2.0 Volts Sine Wave.
11	Load Test	Pink Noise with Weighted Filter 2.0 Volts. (RMS) 24 Hrs.
12	Operation Temperature	-25°C ~ +70°C
13	Storage Temperature	-40°C ~ +85°C
14	Polarity	Diaphragm shall move Forward when Apply a Positive DC
		Current to the "+" or "Marked" Terminal.
15	Remarks	Above specifications on the strength of CNS4784 and CNS4785.



Unit:mm

Admitted:

Approved:

Made: