



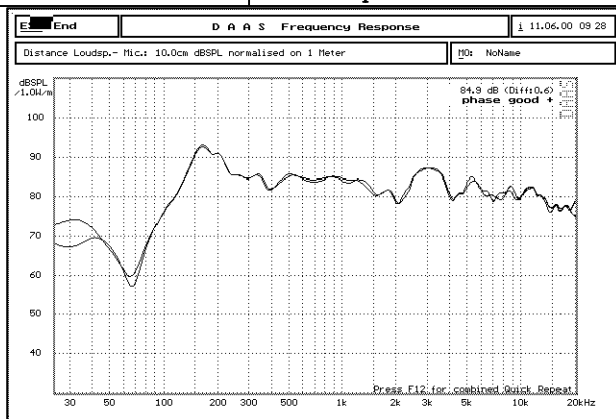
泉州豐群電子有限公司

C.C. FENG CHIUN ELECTRONIC CO., LTD.

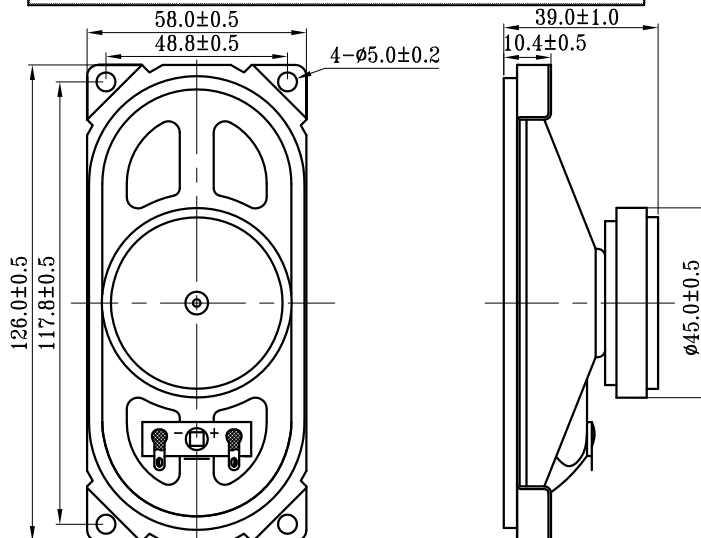
OFFICE: TEL:+886-2-82522781
FAX:+886-2-82522782

FACTORY: TEL:+86-595-22632579
FAX:+86-595-22639258

1	MODEL	58126FLP08M6(GP)			
2	Dimension	58.0X126.0X39.0H		Weight 151.0 Gram.	
3	Magnet	Materials	Ferrite	Size	φ45Xφ22X8 mm.
4	Nominal Impedance	8 Ohm ± 15 %			
5	Power Rating	Normal	10.0 W.	Maximum	15.0 W.
6	Lowest Resonant Frequency	150 ± 30		Hz	
7	Output Sound Pressure Level	83 ± 3 dB / 1 Watt 1 Meter.			
		Average at		200,250,300,400 Hz	
8	Frequency Range	90~20K		Hz. Average SPL-10 dB.	
9	Distortion	5 % Maximum At 1000 Hz 10.0 W.			
10	Abnormal Sound Test	Must be Normally Tested By 8.94 Volts Sine Wave.			
11	Load Test	White Noise with Weighted Filter 8.94 Volts. (RMS) 24 Hrs.			
12	Operation Temperature	-25°C ~ +60°C			
13	Storage Temperature	-40°C ~ +70°C			
14	Polarity	Diaphragm shall move Forward when Apply a Positive DC			
		Current to the "+" or "Marked" Terminal.			
15	Remarks	Above specifications on the strength of CNS4784 and CNS4785.			



Bill of Material	
ITEM	SPEC.
SURROUND	CLOTH
CONE	PAPER
DUST CAP	PAPER



At Least 0.5mm For Diaphragm Moving



Unit:mm

Admitted:

Approved:

Made: