

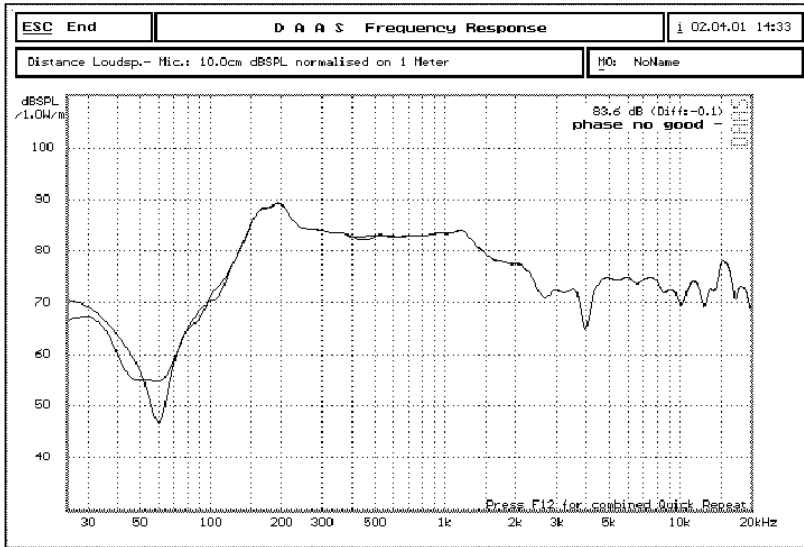
泉州豐群電子有限公司

C.C. FENG CHIUN ELECTRONIC CO., LTD.

OFFICE: TEL:+886-2-82522781
FAX:+886-2-82522782

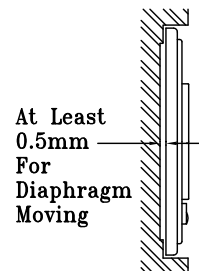
FACTORY: TEL:+86-595-22632579
FAX:+86-595-22639258

1	MODEL	45130FLP08M4(GP)
2	Dimension	45.5X130.0X32.3H Weight 94.0 Gram.
3	Magnet	Materials Ferrite Size $\phi 36.0 \times \phi 22.0 \times 6.0$ mm.
4	Nominal Impedance	8 Ohm $\pm 15\%$
5	Power Rating	Normal 10.0 W. Maximum 15.0 W.
6	Lowest Resonant Frequency	180 \pm 36 Hz
7	Output Sound Pressure Level	84 \pm 3 dB / 1 Watt 1 Meter.
		Average at 250,300,400,500 Hz
8	Frequency Range	120~20K Hz. Average SPL-10 dB.
9	Distortion	5 % Maximum At 1000 Hz 10.0 W.
10	Abnormal Sound Test	Must be Normally Tested By 8.94 Volts Sine Wave.
11	Load Test	White Noise with Weighted Filter 8.94 Volts. (RMS) 96 Hrs.
12	Operation Temperature	-25°C ~ +60°C
13	Storage Temperature	-40°C ~ +70°C
14	Polarity	Diaphragm shall move Forward when Apply a Positive DC
		Current to the "+" or "Marked" Terminal.
15	Remarks	Above specifications on the strength of CNS4784 and CNS4785.



Bill of Material	
ITEM	SPEC.
SURROUND	CLOTH
CONE	PAPER
DUST CAP	PAPER

Dimension:
details see drawing name "45130FLP08M4(GP)外觀圖".

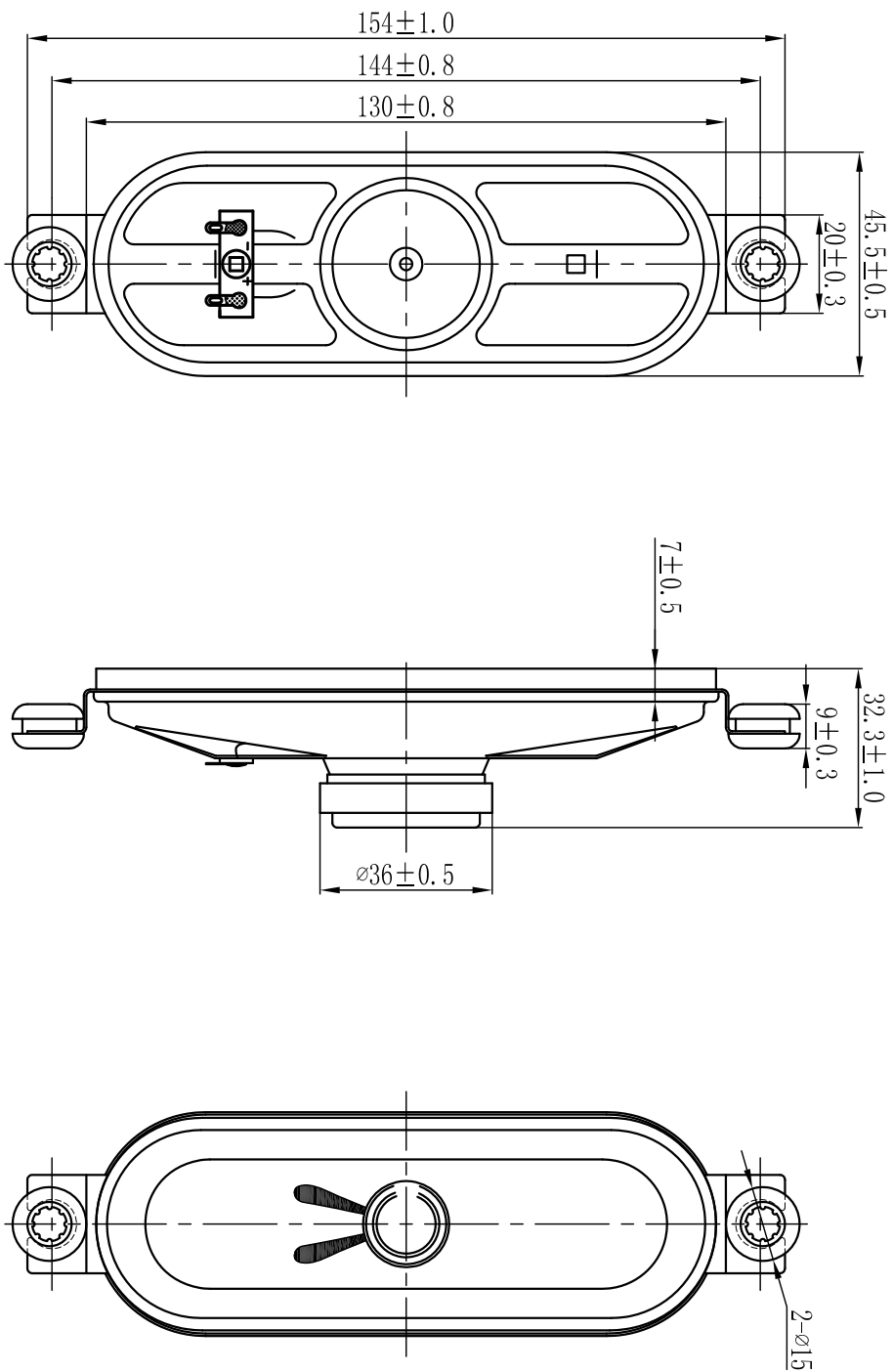


Unit:mm


Admitted:

Approved:

Made:



45130FLP08M4 (GP) 外观图

设计	产品名称		45130FLP08M4 (GP) 型扬声器	
	图号		FC-45130FLP08M4 (GP) -12	
制图	比例	1:1.5	数量	
工艺	共 1 页 第 1 页			
批准	 泉州豐勤電子有限公司 QUANZHOU FENGGQIN ELECTRONIC CO., LTD.			