

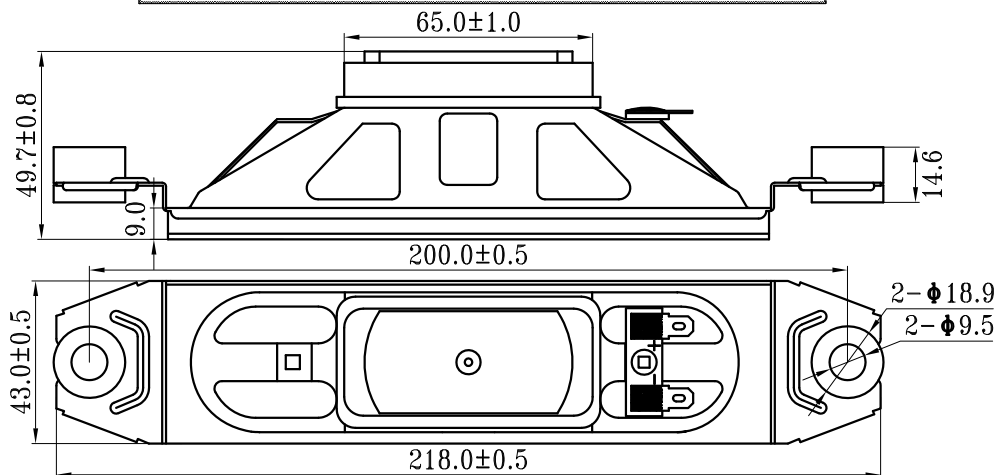
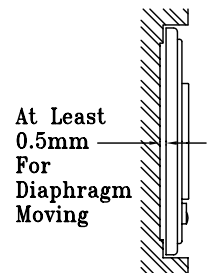
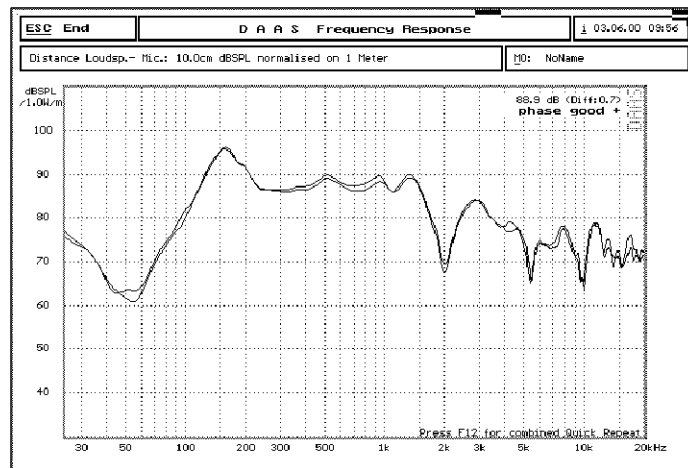
# 泉州豐群電子有限公司

## C.C. FENG CHIUN ELECTRONIC CO., LTD.

OFFICE: TEL:+886-2-82522781  
FAX:+886-2-82522782

FACTORY: TEL:+86-595-22632579  
FAX:+86-595-22639258

1	MODEL	43218FLP08(GP)
2	Dimension	43.0X218.0X49.7H Weight 267.0 Gram.
3	Magnet	Materials Ferrite Size 65.0X28.0X9.0XØ20 mm.
4	Nominal Impedance	8 Ohm ± 15 %
5	Power Rating	Normal 10.0 W. Maximum 15.0 W.
6	Lowest Resonant Frequency	190 ± 38 Hz
7	Output Sound Pressure Level	86 ± 3 dB / 1 Watt 1 Meter.
		Average at 250,300,400,500 Hz
8	Frequency Range	90~20K Hz. Average SPL-10 dB.
9	Distortion	5 % Maximum At 1000 Hz 10.0 W.
10	Abnormal Sound Test	Must be Normally Tested By 8.94 Volts Sine Wave.
11	Load Test	Pink Noise with Weighted Filter 8.94 Volts. (RMS) 96 Hrs.
12	Operation Temperature	-25°C ~ +60°C
13	Storage Temperature	-40°C ~ +70°C
14	Polarity	Diaphragm shall move Forward when Apply a Positive DC
		Current to the "+" or "Marked" Terminal.
15	Remarks	Above specifications on the strength of CNS4784 and CNS4785.



Unit:mm

Admitted:

Approved:

Made: