



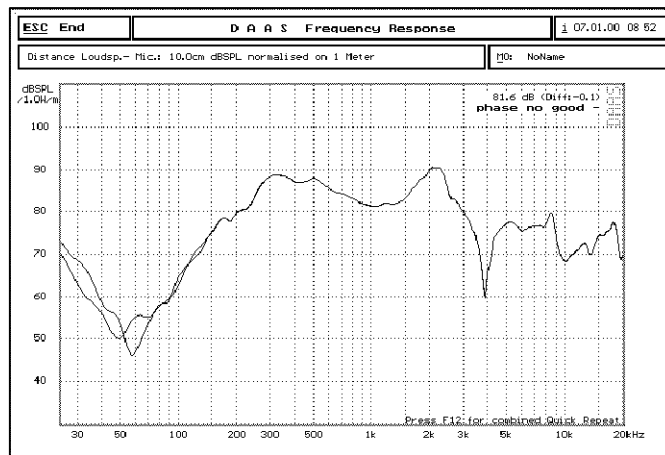
泉州豐群電子有限公司

C.C. FENG CHIUN ELECTRONIC CO., LTD.

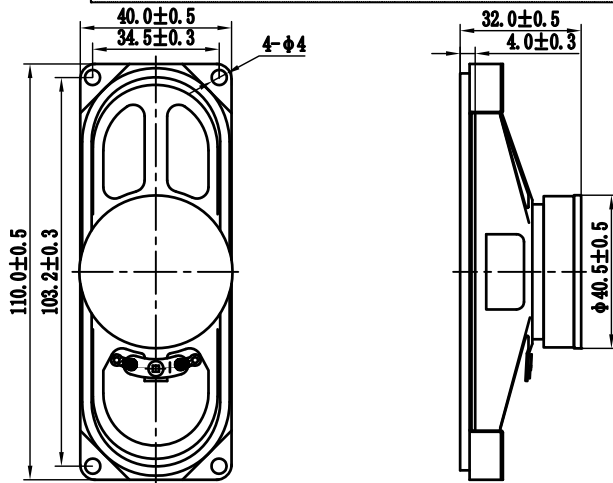
OFFICE: TEL:+886-2-82522781
FAX:+886-2-82522782

FACTORY: TEL:+86-595-22632579
FAX:+86-595-22639258

1	MODEL	40110FLP08M1-1(GP)
2	Dimension	40.0X110.0X32.0H Weight 111.0 Gram.
3	Magnet	Materials Ferrite Size $\phi 40.0X\phi 19.0X8.0$ mm.
4	Nominal Impedance	8 Ohm $\pm 15\%$
5	Power Rating	Normal 10.0 W. Maximum 12.0 W.
6	Lowest Resonant Frequency	290 \pm 58 Hz
7	Output Sound Pressure Level	85 \pm 3 dB / 1 Watt 1 Meter.
		Average at 400,500,600,800 Hz
8	Frequency Range	140~20K Hz. Average SPL-10 dB.
9	Distortion	5 % Maximum At 1000 Hz 10.0 W.
10	Abnormal Sound Test	Must be Normally Tested By 8.94 Volts Sine Wave.
11	Load Test	White Noise with Weighted Filter 8.94 Volts. (RMS) 96 Hrs.
12	Operation Temperature	-25°C ~ +60°C
13	Storage Temperature	-40°C ~ +70°C
14	Polarity	Diaphragm shall move Forward when Apply a Positive DC Current to the "+" or "Marked" Terminal.
15	Remarks	Above specifications on the strength of CNS4784 and CNS4785.



Bill of Material	
ITEM	SPEC.
SURROUND	FOAM
CONE	PAPER
DUST CAP	PAPER



Unit:mm

Admitted:

Approved:

Made: