

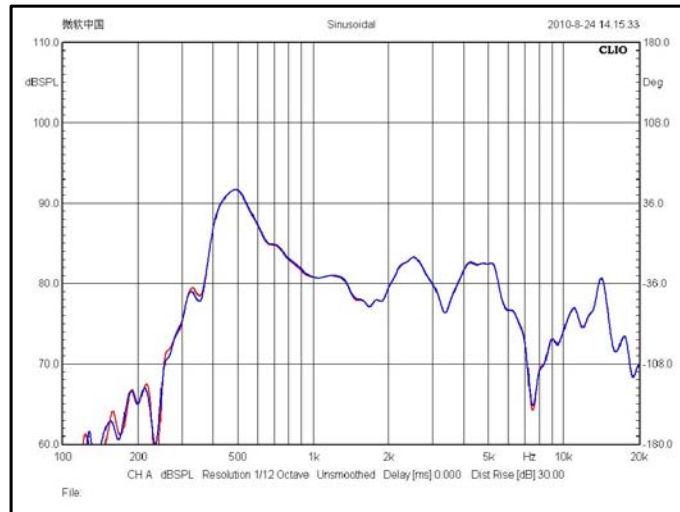
# 泉州豐群電子有限公司

## C.C. FENG CHIUN ELECTRONIC CO., LTD.

OFFICE: TEL:+886-2-82522781  
FAX:+886-2-82522782

FACTORY: TEL:+86-595-22632579  
FAX:+86-595-22639258

1	MODEL	25120CP06M1-2(GP)
2	Dimension	25.0X120.0X25.0H Weight <small>长轴:37.0 短轴:35.0</small> Gram.
3	Magnet	Materials Rare Earth Size $\phi 11.0 \times 5.0 / \phi 11.0 \times 1.5$ mm.
4	Nominal Impedance	6 Ohm $\pm 15\%$
5	Power Rating	Normal 10.0 W. Maximum 12.0 W.
6	Lowest Resonant Frequency	450 $\pm$ 90 Hz
7	Output Sound Pressure Level	85 $\pm 3$ dB / 1 Watt 1 Meter.
		Average at 600,800,1000,1200 Hz
8	Frequency Range	270~20K Hz. Average SPL-10 dB.
9	Distortion	5 % Maximum At 1000 Hz 10.0 W.
10	Abnormal Sound Test	Must be Normally Tested By 7.75 Volts Sine Wave.
11	Load Test	White Noise with Weighted Filter 7.75 Volts. (RMS) 96 Hrs.
12	Operation Temperature	-25°C ~ +60°C
13	Storage Temperature	-40°C ~ +70°C
14	Polarity	Diaphragm shall move Forward when Apply a Positive DC
		Current to the "+" or "Marked" Terminal.
15	Remarks	Above specifications on the strength of CNS4784 and CNS4785.

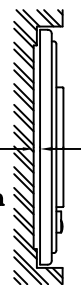


Bill of Material	
ITEM	SPEC.
SURROUND	CLOTH
CONE	PAPER
DUST CAP	PAPER

Dimension:

details see drawing name “25120CP06M1-2(GP)外觀圖”。

At Least  
0.5mm  
For  
Diaphragm  
Moving

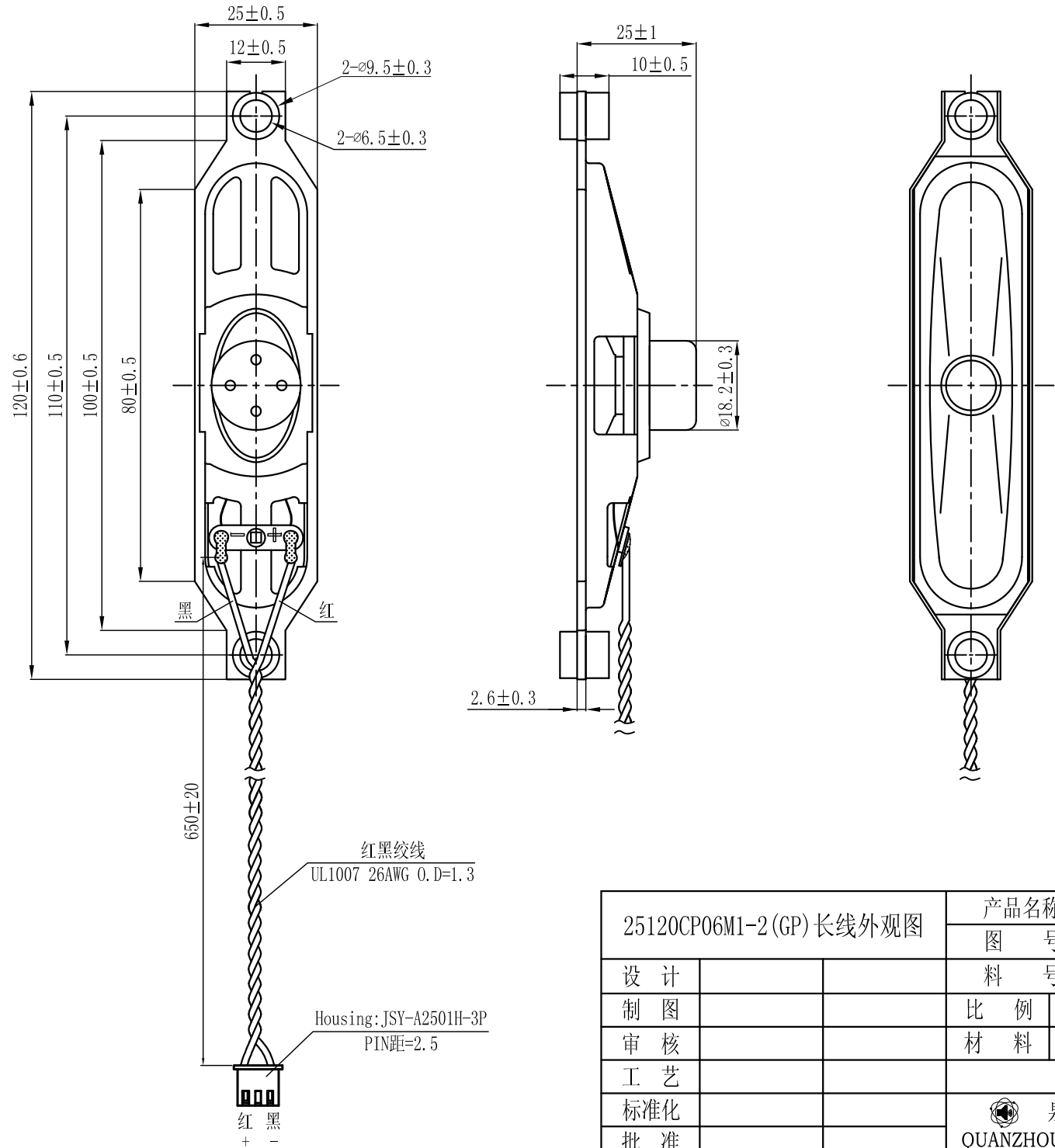


Unit:mm

Admitted:

Approved:

Made:



25120CP06M1-2(GP)长线外观图		产品名称	25120CP06M1-2(GP)型扬声器		
		图号	FC-25120CP06M1-2(GP)-12		
设计		料号			
制图		比例	1:1.2	数量	
审核		材料		重量	
工艺		共 1 页 第 1 页			
标准化		泉州丰勤电子有限公司 QUANZHOU FENGQIN ELECTRONIC CO.,LTD.			
批准					