

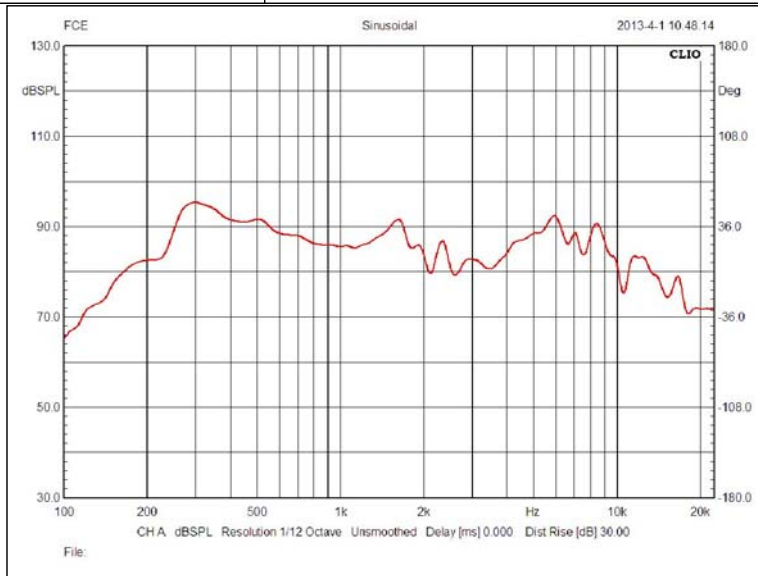
# 泉州豐群電子有限公司

## C.C. FENG CHIUN ELECTRONIC CO., LTD.

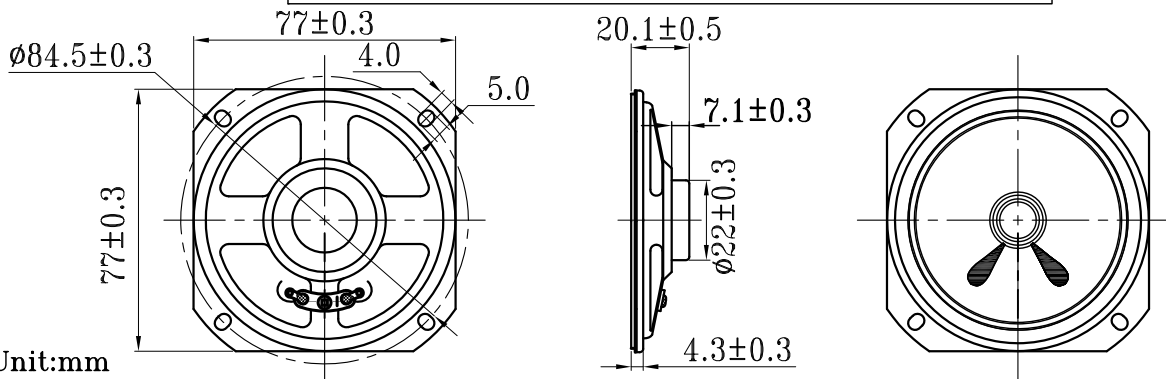
OFFICE: TEL:+886-2-82522781  
FAX:+886-2-82522782

FACTORY: TEL:+86-595-22632579  
FAX:+86-595-22639258

1	MODEL	7777CP08M5(GP)
2	Dimension	77X77X20.1H      Weight 34.4 Gram.
3	Magnet	Materials Rare Earth Size 12.5X2.0 mm.
4	Nominal Impedance	8 Ohm ± 15 %
5	Power Rating	Normal 5.0 W. Maximum 6.0 W.
6	Lowest Resonant Frequency	350 ± 70 Hz
7	Output Sound Pressure Level	88 ± 3 dB / 1 Watt 1 Meter.
		Average at 500,600,800,1000 Hz
8	Frequency Range	260~20K Hz. Average SPL-10 dB.
9	Distortion	5 % Maximum At 1000 Hz 1.0 W.
10	Abnormal Sound Test	Must be Normally Tested By 6.32 Volts Sine Wave.
11	Load Test	White Noise with Weighted Filter 6.32 Volts. (RMS) 48 Hrs.
12	Operation Temperature	-25°C ~ +60°C
13	Storage Temperature	-40°C ~ +70°C
14	Polarity	Diaphragm shall move Forward when Apply a Positive DC
		Current to the "+" or "Marked" Terminal.
15	Remarks	Above specifications on the strength of CNS4784 and CNS4785.



Bill of Material	
ITEM	SPEC.
SURROUND	PAPER
DIAPHRAGM	PAPER
DUST CAP	PAPER



Admitted:

Approved:

Made: