

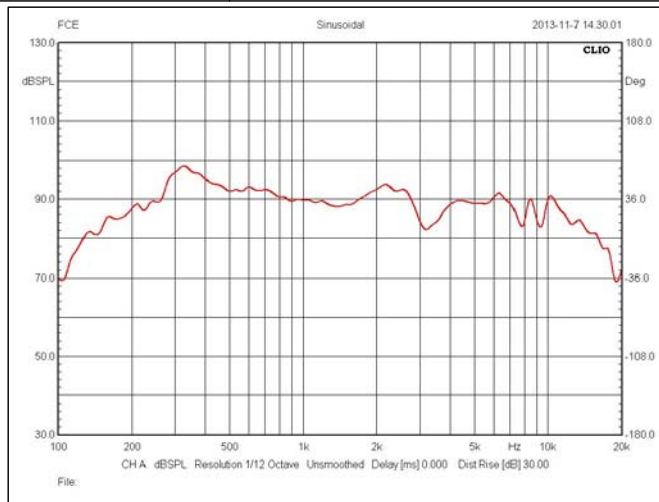
泉州豐群電子有限公司

C.C. FENG CHIUN ELECTRONIC CO., LTD.

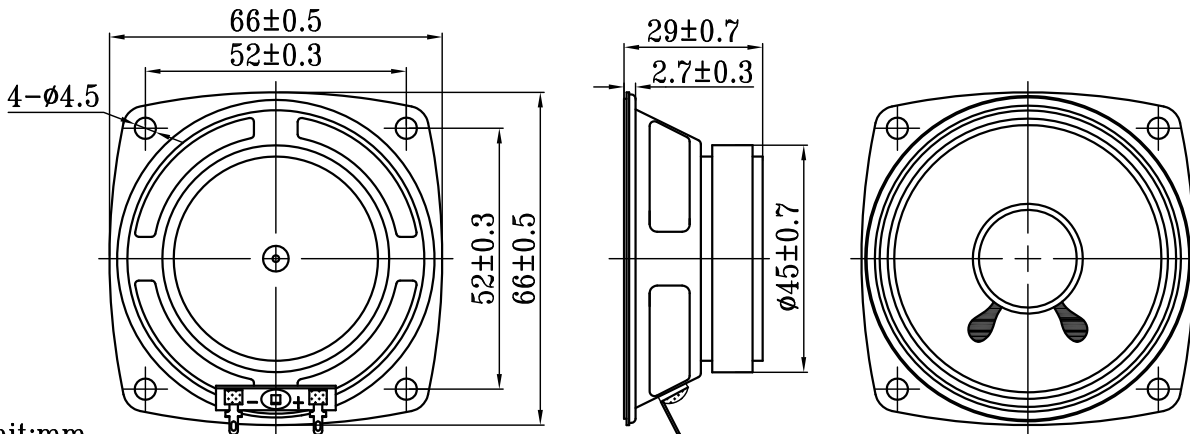
OFFICE: TEL:+886-2-82522781
FAX:+886-2-82522782

FACTORY: TEL:+86-595-22632579
FAX:+86-595-22639258

1	MODEL	6666FLP08M2(GP)
2	Dimension	66.0X66.0X29H Weight 130 Gram.
3	Magnet	Materials Ferrite Size $\phi 45 \times \phi 22 \times 8$ Y35 mm.
4	Nominal Impedance	8 Ohm $\pm 15\%$
5	Power Rating	Normal 3.0 W. Maximum 5.0 W.
6	Lowest Resonant Frequency	300 \pm 60 Hz
7	Output Sound Pressure Level	90 \pm 3 dB / 1 Watt 0.5 Meter.
		Average at 500,800,1000,1200 Hz
8	Frequency Range	130~20K Hz. Average SPL-10 dB.
9	Distortion	5 % Maximum At 1000 Hz 1.0 W.
10	Abnormal Sound Test	Must be Normally Tested By 4.9 Volts Sine Wave.
11	Load Test	White Noise with Weighted Filter 4.9 Volts. (RMS) 96 Hrs.
12	Operation Temperature	-25°C ~ +70°C
13	Storage Temperature	-40°C ~ +85°C
14	Polarity	Diaphragm shall move Forward when Apply a Positive DC
		Current to the "+" or "Marked" Terminal.
15	Remarks	Above specifications on the strength of CNS4784 and CNS4785.



Bill of Material	
ITEM	SPEC.
SURROUND	PAPER
DIAPHRAGM	PAPER
DUST CAP	PET



Unit:mm

Admitted:

Approved:

Made: