

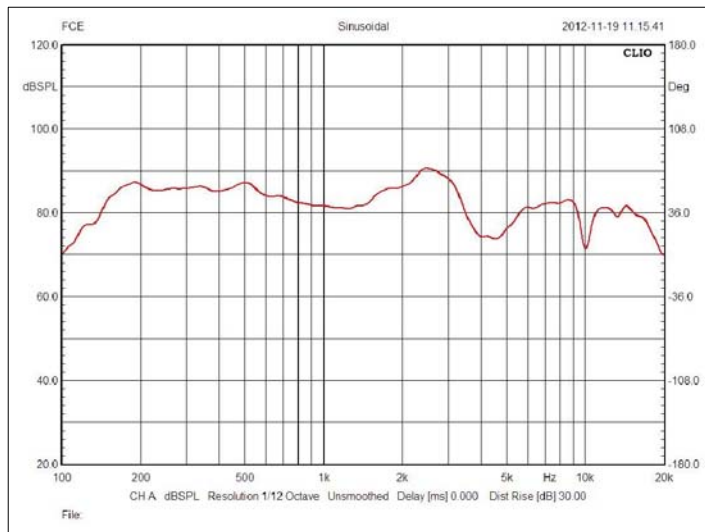
# 泉州豐群電子有限公司

## C.C. FENG CHIUN ELECTRONIC CO., LTD.

OFFICE: TEL:+886-2-82522781  
FAX:+886-2-82522782

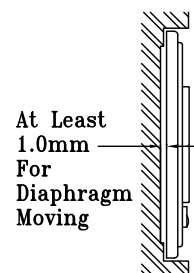
FACTORY: TEL:+86-595-22632579  
FAX:+86-595-22639258

1	MODEL	5090FLP08M1-10(GP)			
2	Dimension	50.0X90X32.4H	Weight	124	Gram.
3	Magnet	Materials	Ferrite	Size	φ45Xφ19X8 mm.
4	Nominal Impedance	8	Ohm	± 15 %	
5	Power Rating	Normal	8.0	W.	Maximum 12.0 W.
6	Lowest Resonant Frequency	250	±	50	Hz
7	Output Sound Pressure Level	86 ± 3 dB / 1 Watt 1 Meter.			
		Average at	300,400,500,600 Hz		
8	Frequency Range	130~20K	Hz.	Average SPL-10	dB.
9	Distortion	5 %	Maximum At	1000	Hz 8.0 W.
10	Abnormal Sound Test	Must be Normally Tested By		8.0	Volts Sine Wave.
11	Load Test	White Noise with Weighted Filter 8.0 Volts. (RMS) 48 Hrs.			
12	Operation Temperature	-25°C ~ +70°C			
13	Storage Temperature	-40°C ~ +85°C			
14	Polarity	Diaphragm shall move Forward when Apply a Positive DC			
		Current to the "+" or "Marked" Terminal.			
15	Remarks	Above specifications on the strength of CNS4784 and CNS4785.			



Bill of Material	
ITEM	SPEC.
SURROUND	PU
DIAPHRAGM	PAPER
DUST CAP	PAPER

Dimension:  
details see drawing name “5090FLP08M1-10(GP)外觀圖”。

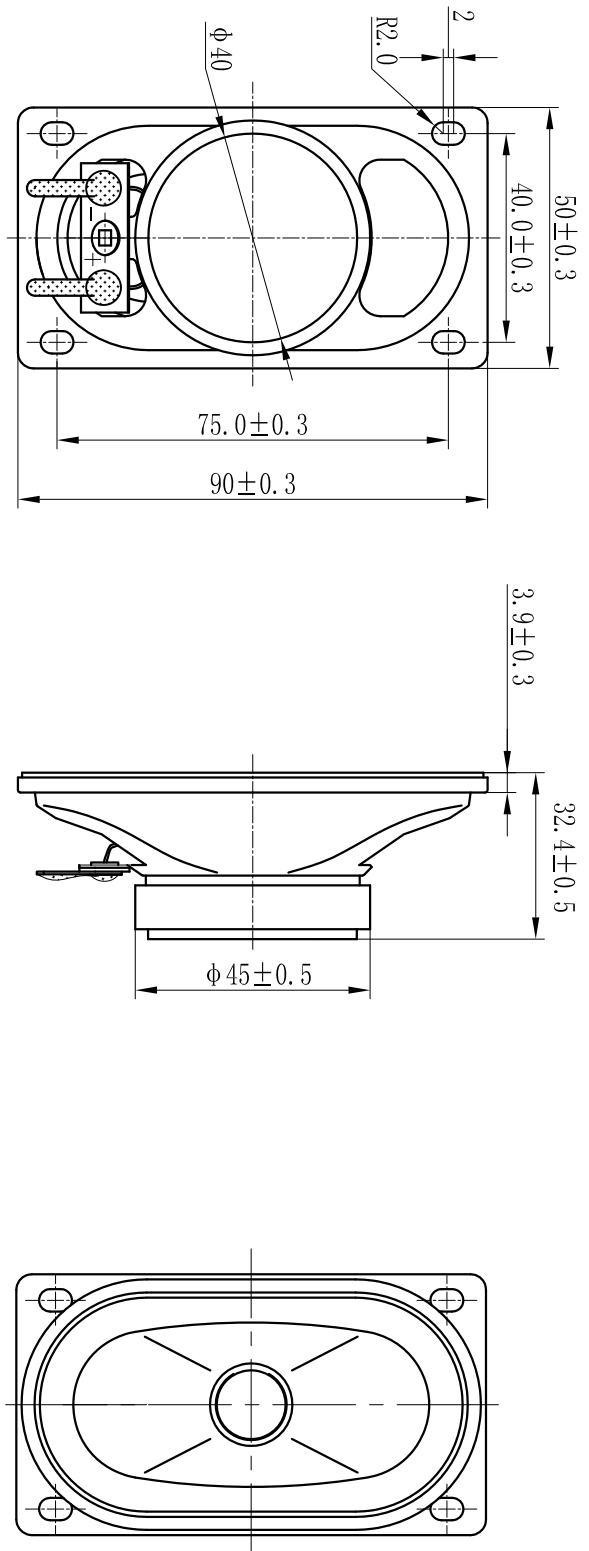


Unit:mm


Admitted:

Approved:

Made:



5090FLP08M1-10(GP) 外观图

设计		产品名称		5090FLP08M1-10(GP) 型扬声器	
制图		料号			
审核		比例		1:1	
工艺		材料		数量	
标准化				重量	
批准					
共 1 页 第 1 页					
 泉州豐勤電子有限公司 QUANZHOU FENQIN ELECTRONIC CO., LTD.					