

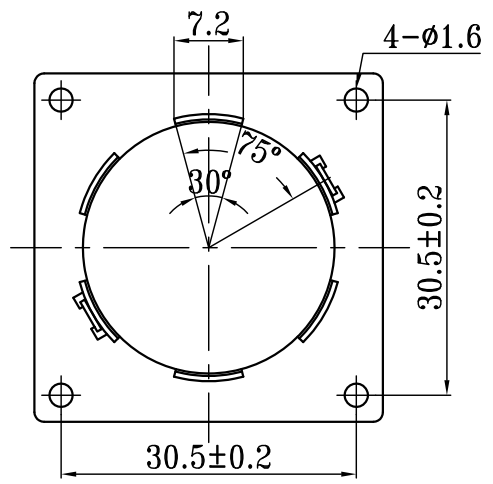
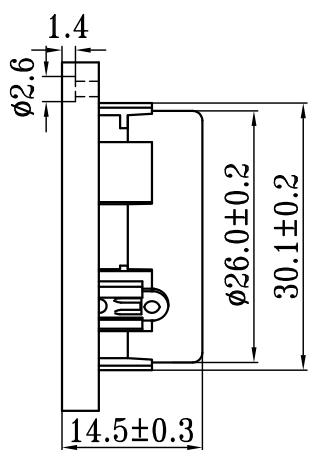
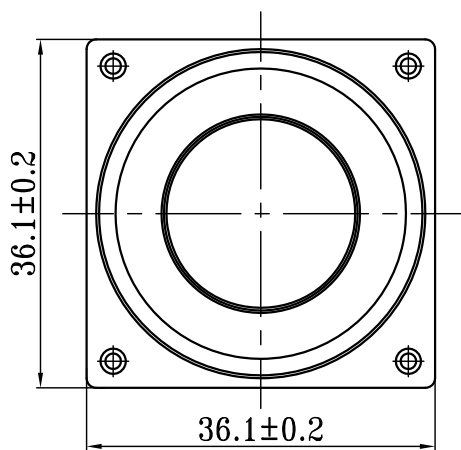
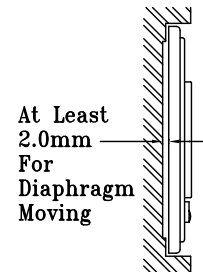
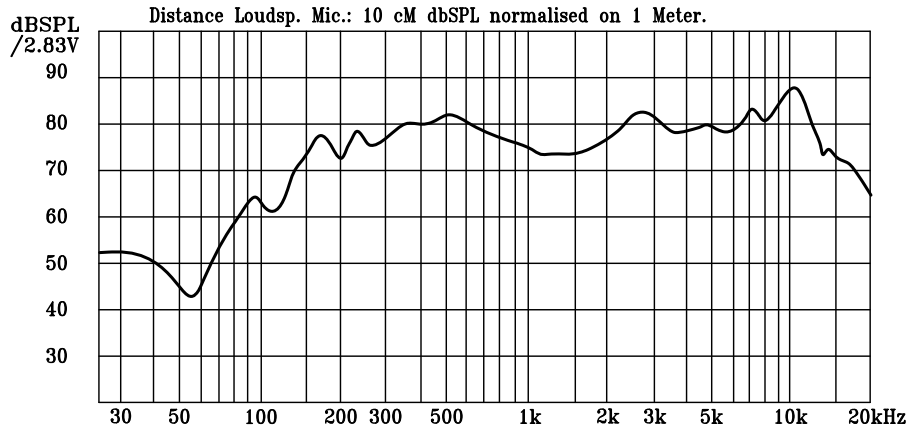
# 泉州豐群電子有限公司

## C.C. FENG CHIUN ELECTRONIC CO., LTD.

OFFICE: TEL:+886-2-82271560  
FAX:+886-2-82271561

FACTORY: TEL:+86-595-22632579  
FAX:+86-595-22632580

1	MODEL	3636CP08
2	Dimension	36.1X36.1X14.5H Weight 28.8 Gram.
3	Magnet	Materials Rare Earth Size $\phi 18.7 \times 4.0$ mm.
4	Nominal Impedance	8 Ohm $\pm 15\%$ At 1000 Hz
5	Power Rating	Normal 2.0 W. Maximum 3.0 W.
6	Lowest Resonant Frequency	230 $\pm$ 46 Hz
7	Output Sound Pressure Level (S.P.L.)	80 $\pm$ 3 dB / 1 Watt 1 Meter.
		Average at 300,400,500,600 Hz
8	Frequency Range	130~20K Hz. Average SPL-10 dB.
9	Distortion	5 % Maximum At 1000 Hz 1.0 W.
10	Abnormal Sound Test	Must be Normally Tested By 4.0 Volts Sine Wave.
11	Load Test	White Noise with Weighted Filter 4.0 Volts. (RMS) 24 Hrs.
12	Operation Temperature	-25°C ~ +60°C
13	Storage Temperature	-40°C ~ +70°C
14	Polarity	Diaphragm shall move Forward when Apply a Positive DC
		Current to the "+" or "Marked" Terminal.
15	Remarks	Above specifications on the strength of CNS4784 and CNS4785.



Unit:mm

Admitted:

Approved:

Made: