



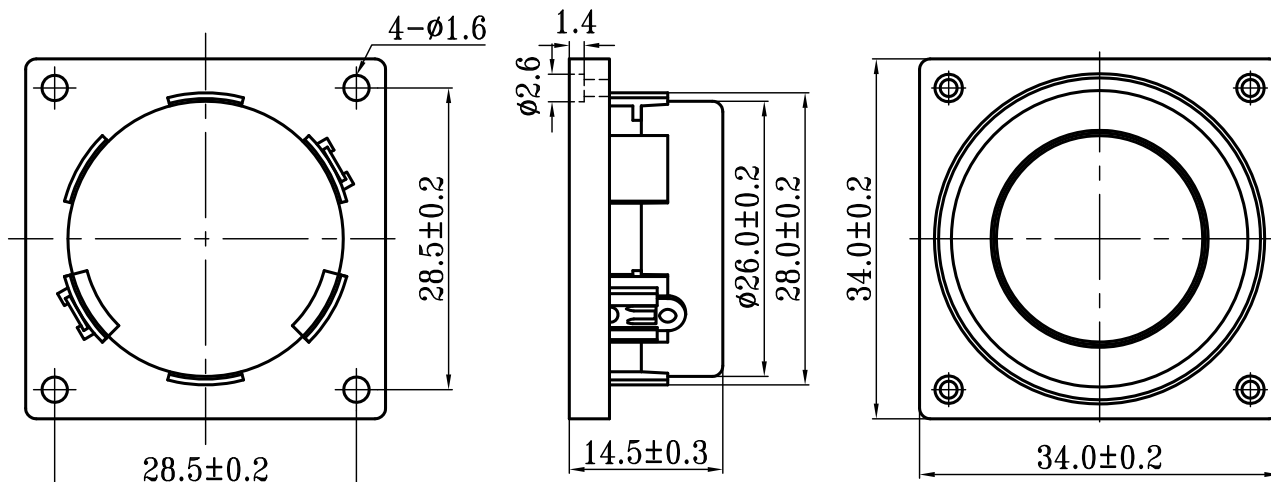
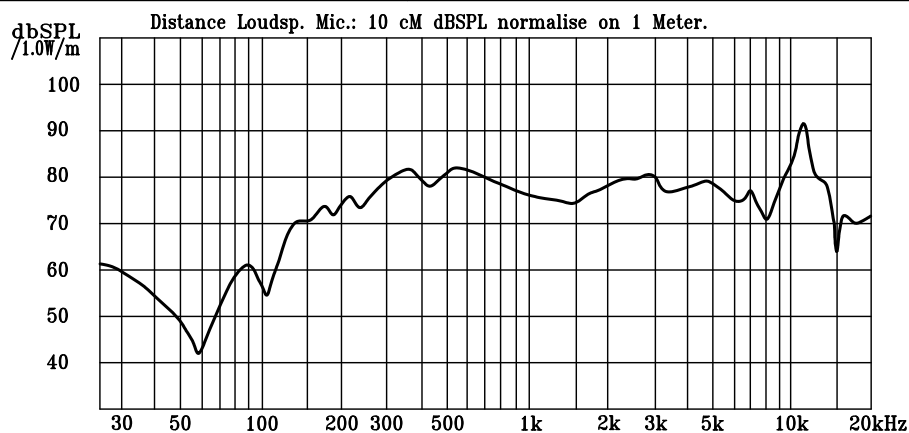
# 泉州豐群電子有限公司

## C.C. FENG CHIUN ELECTRONIC CO., LTD.

OFFICE: TEL:+886-2-82522781  
FAX:+886-2-82522782

FACTORY: TEL:+86-595-22632579  
FAX:+86-595-22639258

1	MODEL	3434CP04(GP)
2	Dimension	34X34X14.5H      Weight 27.7 Gram.
3	Magnet	Materials Rare Earth      Size $\phi 18.4 \times 4.0$ mm.
4	Nominal Impedance	4 Ohm $\pm 15\%$
5	Power Rating	Normal 2.0 W.      Maximum 4.0 W.
6	Lowest Resonant Frequency	270 $\pm$ 54 Hz
7	Output Sound Pressure Level	80 $\pm$ 3 db / 1 Watt 1 Meter.
		Average at 400,500,600,800 Hz
8	Frequency Range	130~20K Hz.      Average SPL-10 db.
9	Distortion	5 % Maximum At 1000 Hz 2.0 W.
10	Abnormal Sound Test	Must be Normally Tested By 2.83 Volts Sine Wave.
11	Load Test	Pink Noise with Weighted Filter 2.83 Volts. (RMS) 24 Hrs.
12	Operation Temperature	$-25^{\circ}\text{C} \sim +70^{\circ}\text{C}$
13	Storage Temperature	$-40^{\circ}\text{C} \sim +85^{\circ}\text{C}$
14	Polarity	Diaphragm shall move Forward when Apply a Positive DC
		Current to the "+" or "Marked" Terminal.
15	Remarks	Above specifications on the strength of CNS4784 and CNS4785.



Admitted:

Approved:

Made: