

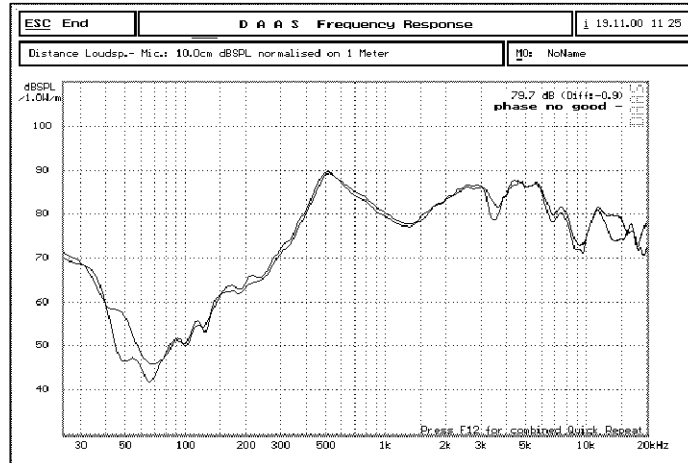
# 泉州豐群電子有限公司

## C.C. FENG CHIUN ELECTRONIC CO., LTD.

OFFICE: TEL:+886-2-82522781  
FAX:+886-2-82522782

FACTORY: TEL:+86-595-22632579  
FAX:+86-595-22639258

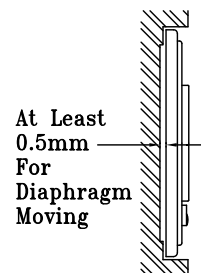
1	MODEL	3070CP08M2-1(GP)
2	Dimension	30.4X70.4X18.5H Weight 28.0 Gram.
3	Magnet	Materials Rare Earth Size $\phi$ 12.5X2.0 mm.
4	Nominal Impedance	8 Ohm $\pm$ 15 %
5	Power Rating	Normal 3.0 W. Maximum 4.0 W.
6	Lowest Resonant Frequency	460 $\pm$ 92 Hz
7	Output Sound Pressure Level	82 $\pm$ 3 dB / 1 Watt 1 Meter. Average at 600,800,1000,1200 Hz
8	Frequency Range	320~20K Hz. Average SPL-10 dB.
9	Distortion	5 % Maximum At 1000 Hz 3.0 W.
10	Abnormal Sound Test	Must be Normally Tested By 4.9 Volts Sine Wave.
11	Load Test	White Noise with Weighted Filter 4.9 Volts. (RMS) 96 Hrs.
12	Operation Temperature	-25°C ~ +60°C
13	Storage Temperature	-40°C ~ +70°C
14	Polarity	Diaphragm shall move Forward when Apply a Positive DC Current to the "+" or "Marked" Terminal.
15	Remarks	Above specifications on the strength of CNS4784 and CNS4785.



Bill of Material	
ITEM	SPEC.
SURROUND	CLOTH
DIAPHRAGM	PAPER
DUST CAP	PAPER

Dimension:

details see drawing name "3070CP08M2-1(GP)外觀圖".



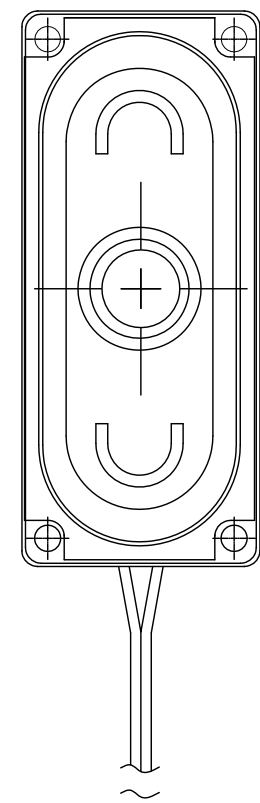
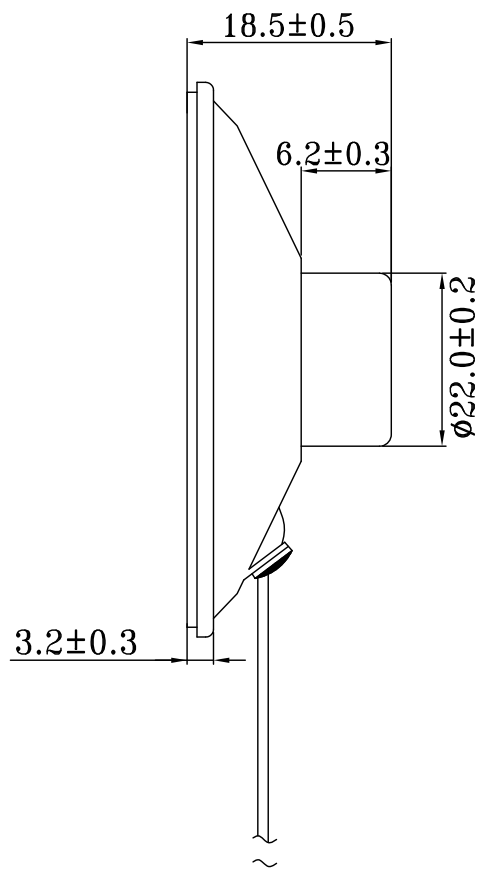
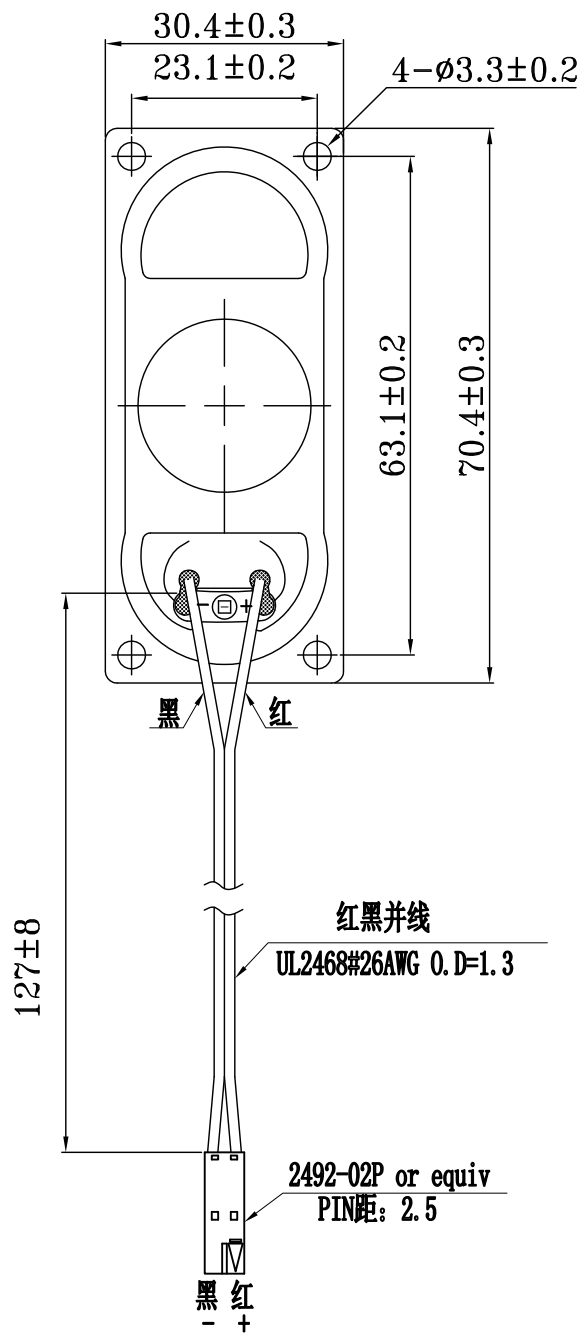
Unit:mm

保存有效期限: 一年

Admitted:

Approved:

Made:



3070CP08M2-1 (GP) 外观图			产品名称		3070CP08M2-1 (GP) 型扬声器	
			图 号		FC-3070CP08M2-1 (GP)-01	
设计			料 号			
制图			比例	1.5:1	数量	
审核			材 料		重 量	
工艺			共 1 页 第 1 页			
标准化			泉州豐勤電子有限公司			
批 准			QUANZHOU FENGQIN ELECTRONIC CO., LTD.			