

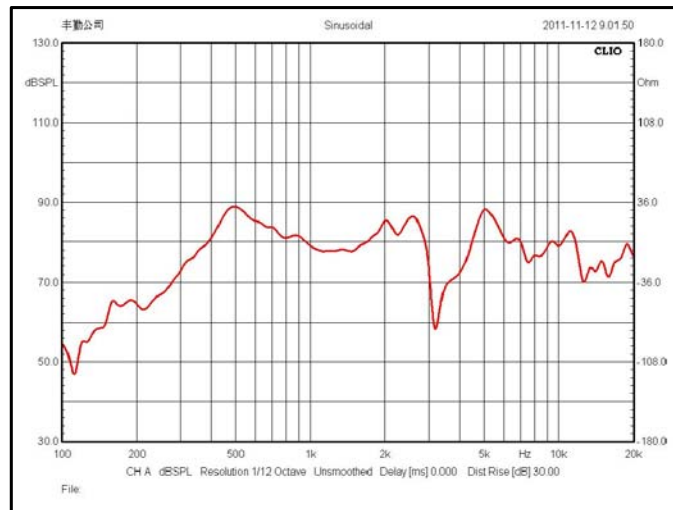
泉州豐群電子有限公司

C.C. FENG CHIUN ELECTRONIC CO., LTD.

OFFICE: TEL:+886-2-82522781
FAX:+886-2-82522782

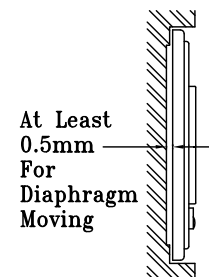
FACTORY: TEL:+86-595-22632579
FAX:+86-595-22639258

1	MODEL	2840CP08P7(GP)
2	Dimension	28.4X40.0X5.2H Weight 4.5 Gram.
3	Magnet	Materials Rare Earth Size ϕ 12.5X1.2 mm.
4	Nominal Impedance	8 Ohm \pm 15 %
5	Power Rating	Normal 2.0 W. Maximum 3.0 W.
6	Lowest Resonant Frequency	500 \pm 100 Hz
7	Output Sound Pressure Level	80 \pm 3 dB / 1 Watt 1 Meter. Average at 600,800,1000,1200 Hz
8	Frequency Range	280~20K Hz. Average SPL-10 dB.
9	Distortion	5 % Maximum At 1000 Hz 2.0 W.
10	Abnormal Sound Test	Must be Normally Tested By 4.0 Volts Sine Wave.
11	Load Test	White Noise with Weighted Filter 4.0 Volts. (RMS) 48 Hrs.
12	Operation Temperature	-25°C ~ +60°C
13	Storage Temperature	-40°C ~ +70°C
14	Polarity	Diaphragm shall move Forward when Apply a Positive DC Current to the "+" or "Marked" Terminal.
15	Remarks	Above specifications on the strength of CNS4784 and CNS4785.



Bill of Material	
DIAPHRAGM	PET

Dimension:
details see drawing name “2840CP08P7(GP)外观图”。

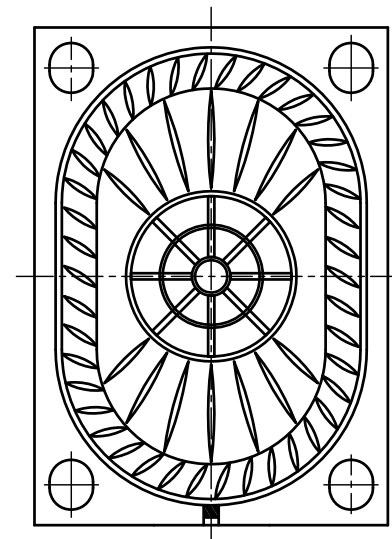
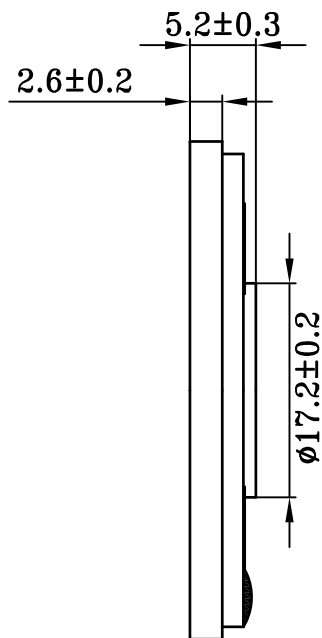
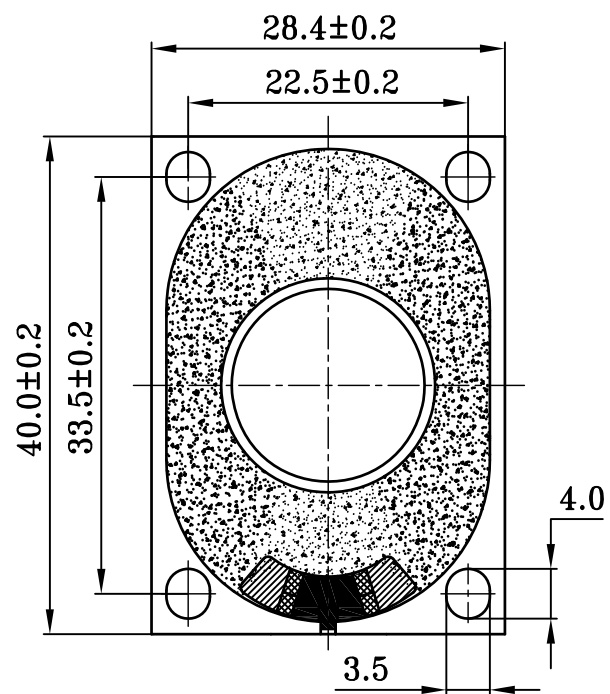


Unit:mm

Admitted:

Approved:

Made:



2840CP08P7(GP)外观图			产品名称		2840CP08P7(GP)型扬声器	
设计			料号			
制图			比例	1.6:1	数量	
审核			材料		重量	
工艺			共 1 页 第 1 页			
标准化			 泉州豐勤電子有限公司 QUANZHOU FENGQIN ELECTRONIC CO., LTD.			
批准						