

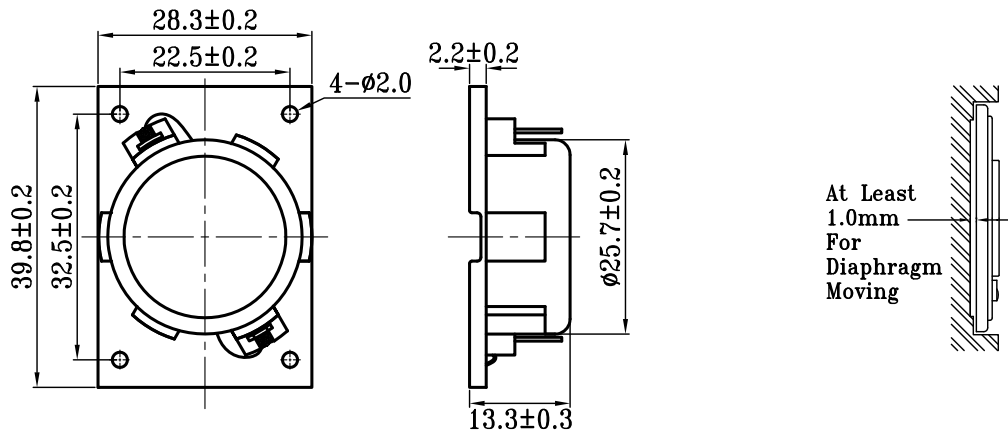
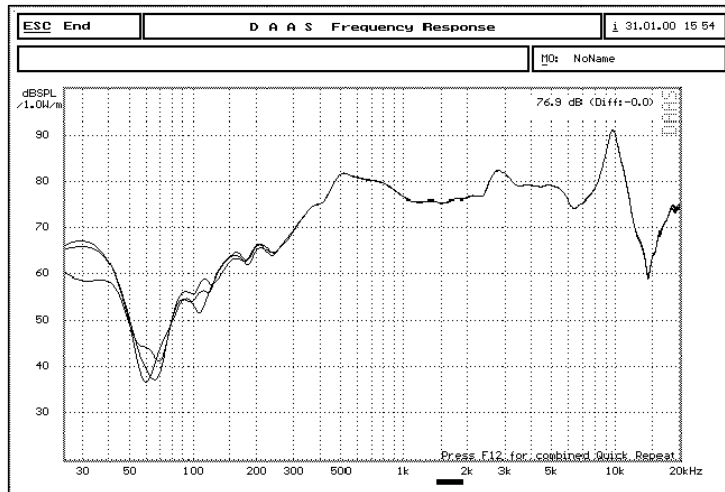
泉州豐群電子有限公司

C.C. FENG CHIUN ELECTRONIC CO., LTD.

OFFICE: TEL:+886-2-82522781
FAX:+886-2-82522782

FACTORY: TEL:+86-595-22632579
FAX:+86-595-22632580

1	MODEL	2840CP08P2-1(GP)
2	Dimension	28.3X39.8X13.3H Weight 25.7 Gram.
3	Magnet	Materials Rare Earth Size \varnothing 18.4X3.5 mm.
4	Nominal Impedance	8 Ohm \pm 15 %
5	Power Rating	Normal 3.0 W. Maximum 5.0 W.
6	Lowest Resonant Frequency	450 \pm 90 Hz
7	Output Sound Pressure Level	77 \pm 3 dB / 1 Watt 1 Meter.
		Average at 600,800,1000,1200 Hz
8	Frequency Range	280~20K Hz. Average SPL-10 dB.
9	Distortion	5 % Maximum At 1000 Hz 3.0 W.
10	Abnormal Sound Test	Must be Normally Tested By 4.9 Volts Sine Wave.
11	Load Test	Pink Noise with Weighted Filter 4.9 Volts. (RMS) 24 Hrs.
12	Operation Temperature	-25°C ~ +60°C
13	Storage Temperature	-40°C ~ +70°C
14	Polarity	Diaphragm shall move Forward when Apply a Positive DC
		Current to the "+" or "Marked" Terminal.
15	Remarks	Above specifications on the strength of CNS4784 and CNS4785.



Unit:mm

Admitted:

Approved:

Made: