

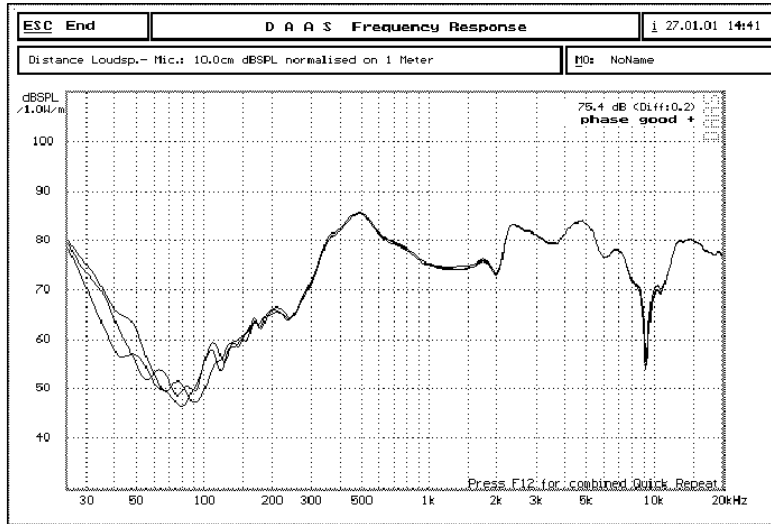
泉州豐群電子有限公司

C.C. FENG CHIUN ELECTRONIC CO., LTD.

OFFICE: TEL:+886-2-82522781
FAX:+886-2-82522782

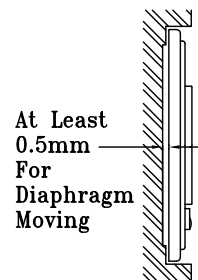
FACTORY: TEL:+86-595-22632579
FAX:+86-595-22639258

1	MODEL	2560CP08P1(GP)
2	Dimension	24.8X79.9X17.2H Weight 14.7 Gram.
3	Magnet	Materials Rare Earth Size ϕ 12.5X3.5 mm.
4	Nominal Impedance	8 Ohm \pm 15 %
5	Power Rating	Normal 4.0 W. Maximum 8.0 W.
6	Lowest Resonant Frequency	420 \pm 84 Hz
7	Output Sound Pressure Level	78 \pm 3 db / 1 Watt 1 Meter.
		Average at 600,800,1000,1200 Hz
8	Frequency Range	280~20K Hz. Average SPL-10 db.
9	Distortion	5 % Maximum At 1000 Hz 4.0 W.
10	Abnormal Sound Test	Must be Normally Tested By 5.66 Volts Sine Wave.
11	Load Test	White Noise with Weighted Filter 5.66 Volts. (RMS) 96 Hrs.
12	Operation Temperature	-25°C ~ +60°C
13	Storage Temperature	-40°C ~ +70°C
14	Polarity	Diaphragm shall move Forward when Apply a Positive DC Current to the "+" or "Marked" Terminal.
15	Remarks	Above specifications on the strength of CNS4784 and CNS4785.



Bill of Material	
ITEM	SPEC.
SURROUND	PU
DIAPHRAGM	PAPER
DUST CAP	PAPER

Dimension:
details see drawing name “2560CP08P1(GP)外觀圖”。

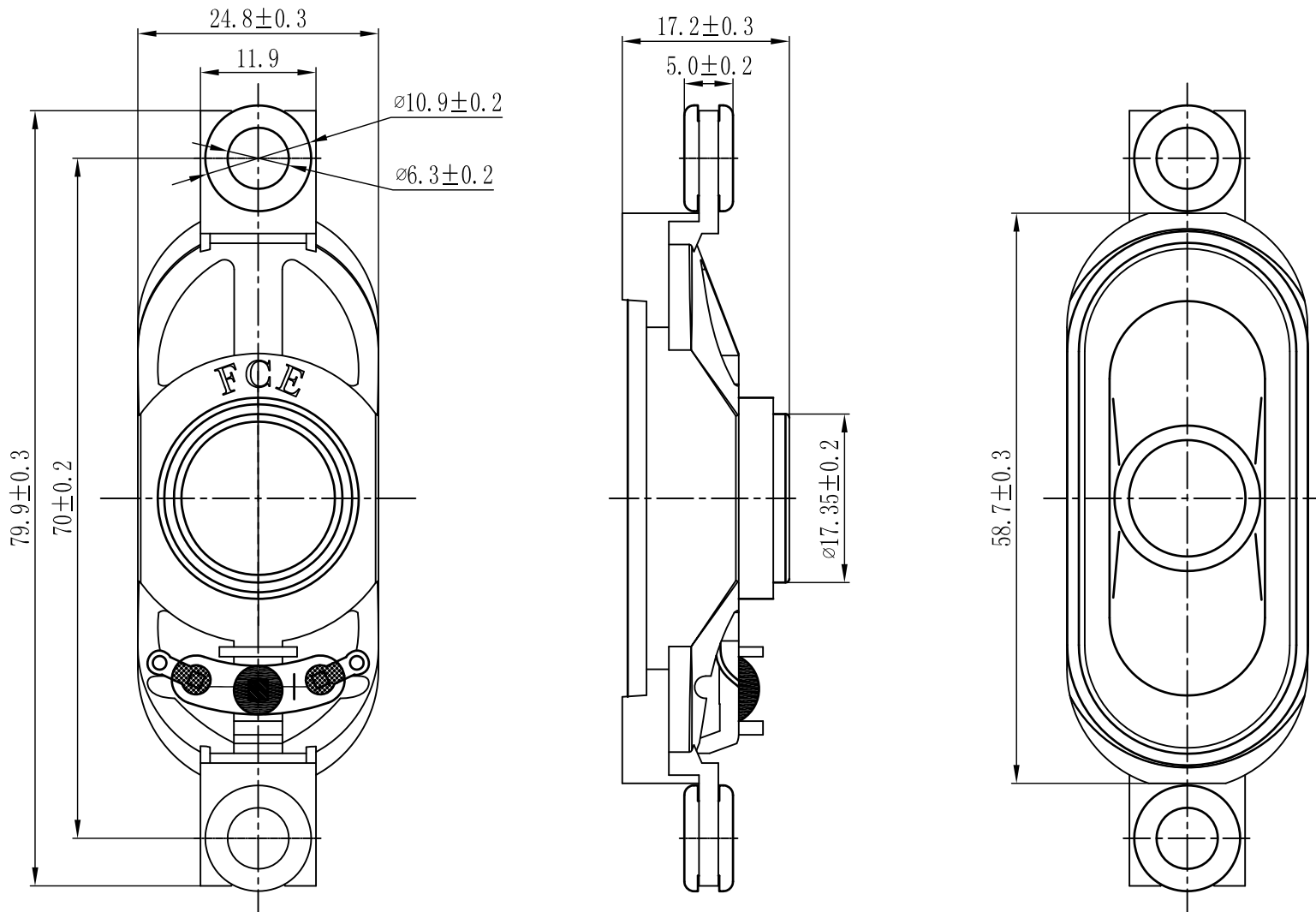


Unit:mm

Admitted:

Approved:

Made:



2560CP08P1 (GP) 外观图			产品名称		2560CP08P1 (GP) 型扬声器	
			图 号		FC-2560CP08P1 (GP)-12	
设计			料 号			
制图			比例	1.5:1	数量	
审核			材料		重量	
工艺			共 1 页 第 1 页			
标准化			 泉州豐勤電子有限公司 QUANZHOU FENGQIN ELECTRONIC CO., LTD.			
批准						