

泉州豐群電子有限公司

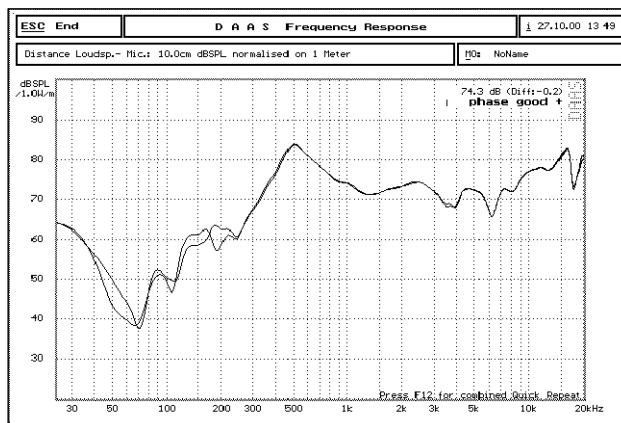
C.C. FENG CHIUN ELECTRONIC CO., LTD.

OFFICE: TEL:+886-2-82522781
FAX:+886-2-82522782

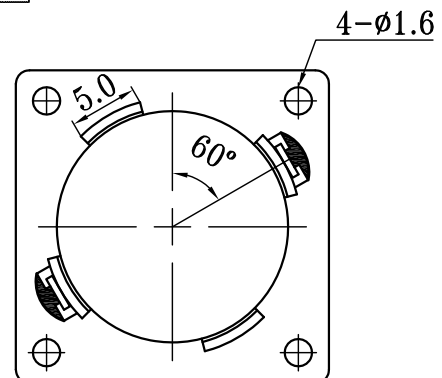
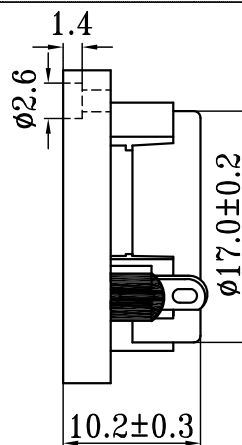
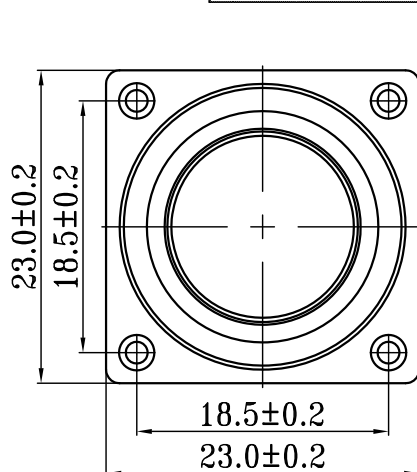
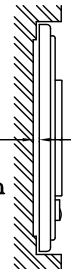
FACTORY: TEL:+86-595-22632579
FAX:+86-595-22639258

1	MODEL	2323CP08(GP)			
2	Dimension	23X23X10.2H	Weight	8.1	Gram.
3	Magnet	Materials Rare Earth	Size	ø12.5X3.0	mm.
4	Nominal Impedance	8 Ohm	± 15 %		
5	Power Rating	Normal	2.0 W.	Maximum	4.0 W.
6	Lowest Resonant Frequency	450	±	90	Hz
7	Output Sound Pressure Level	76 ± 3 db / 1 Watt 1 Meter.			
		Average at	600,800,1000,1200		Hz
8	Frequency Range	300~20K	Hz.	Average SPL-10	db.
9	Distortion	5 %	Maximum At	1000 Hz	2.0 W.
10	Abnormal Sound Test	Must be Normally Tested By		4.0	Volts Sine Wave.
11	Load Test	White Noise with Weighted Filter		4.0 Volts. (RMS)	24 Hrs.
12	Operation Temperature	-25°C ~ +60°C			
13	Storage Temperature	-40°C ~ +70°C			
14	Polarity	Diaphragm shall move Forward when Apply a Positive DC			
		Current to the "+" or "Marked" Terminal.			
15	Remarks	Above specifications on the strength of CNS4784 and CNS4785.			

Bill of Material	
ITEM	SPEC.
SURROUND	FOAM
CONE	
DUST CAP	PET



At Least
1.5mm
For
Diaphragm
Moving



Unit:mm

Admitted:

Approved:

Made: