

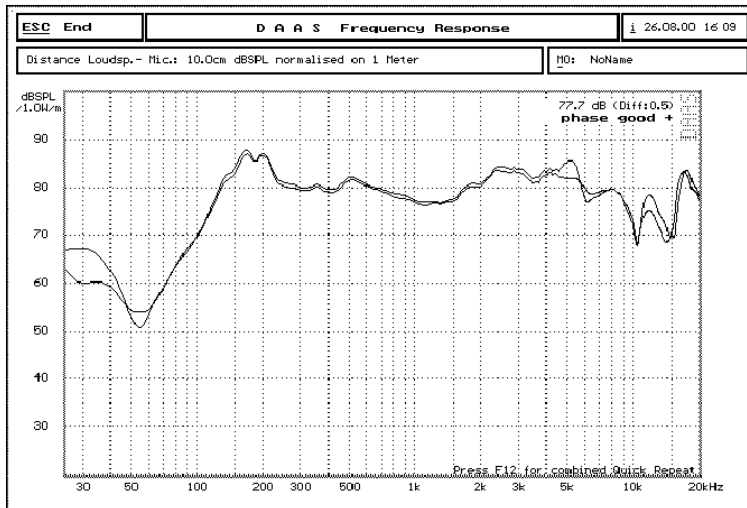
泉州豐群電子有限公司

C.C. FENG CHIUN ELECTRONIC CO., LTD.

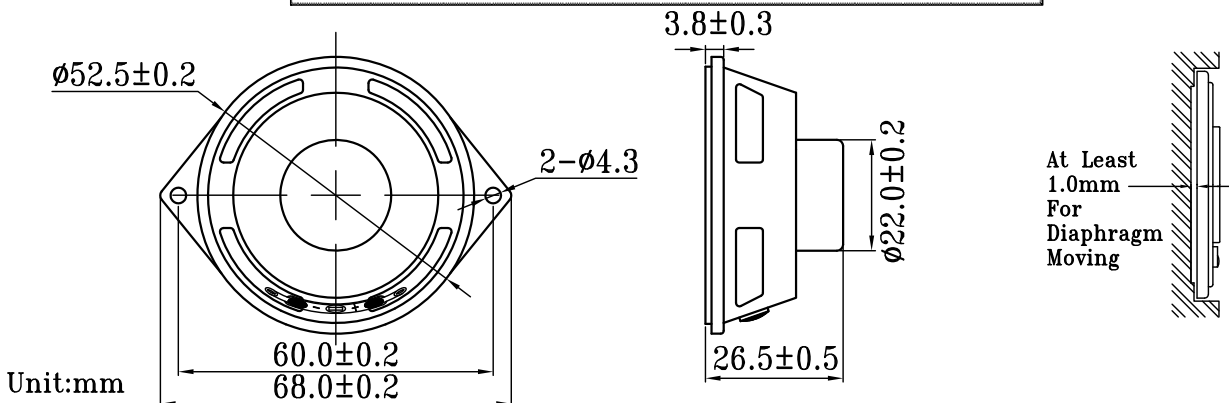
OFFICE: TEL:+886-2-82522781
FAX:+886-2-82522782

FACTORY: TEL:+86-595-22632579
FAX:+86-595-22639258

1	MODEL	52CP08M3(GP)
2	Dimension	Outer Diameter 52.5 mm Baffle Opening 50.7 mm. Height Refer to drawing Weight 35.5 Gram.
3	Magnet	Materials Rare Earth Size $\phi 12.5 \times 3.5$ mm.
4	Nominal Impedance	8 Ohm $\pm 15\%$
5	Power Rating	Normal 10.0 W. Maximum 12.0 W.
6	Lowest Resonant Frequency	190 \pm 38 Hz
7	Output Sound Pressure Level	80 \pm 3 dB / 1 Watt 1 Meter. Average at 250,300,400,500 Hz
8	Frequency Range	100~20K Hz. Average SPL-10 dB.
9	Distortion	5 % Maximum At 1000 Hz 10.0 W.
10	Abnormal Sound Test	Must be Normally Tested By 8.9 Volts Sine Wave.
11	Load Test	White Noise with Weighted Filter 8.9 Volts. (RMS) 96 Hrs.
12	Operation Temperature	-25°C ~ +70°C
13	Storage Temperature	-40°C ~ +85°C
14	Polarity	Diaphragm shall move Forward when Apply a Positive DC Current to the "+" or "Marked" Terminal.
15	Remarks	Above specifications on the strength of CNS4784 and CNS4785.



Bill of Material	
ITEM	SPEC.
SURROUND	PU
DIAPHRAGM	PAPER
DUST CAP	PAPER



Admitted:

Approved:

Made: