

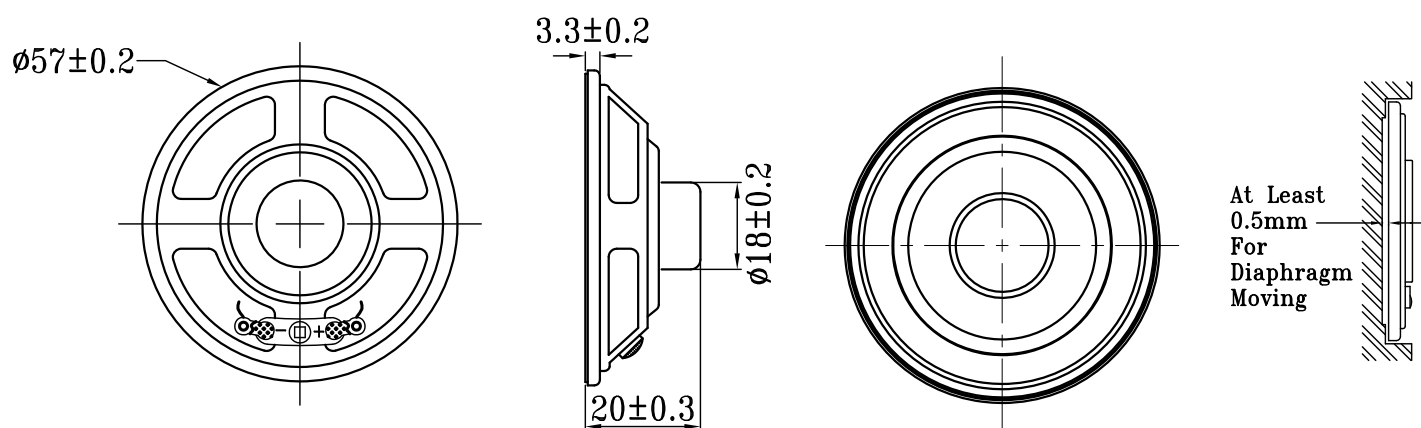
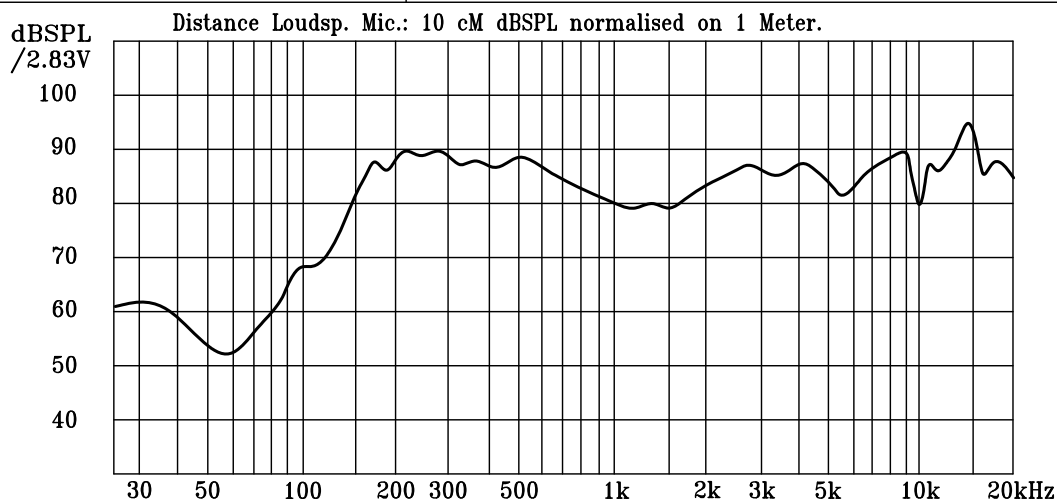
# 泉州豐群電子有限公司

## C.C. FENG CHIUN ELECTRONIC CO., LTD.

OFFICE: TEL:+886-2-82522781  
FAX:+886-2-82522782

FACTORY: TEL:+86-595-22632579  
FAX:+86-595-22639258

1	MODEL	57CP08M4(GP)
2	Dimension	Outer Diameter 57 mm Baffle Opening 51.3 mm. Height Refer to drawing Weight 20.0 Gram.
3	Magnet	Materials Rare Earth Size $\phi 12.5 \times 3.0$ mm.
4	Nominal Impedance	8 Ohm $\pm 15\%$
5	Power Rating	Normal 2.0 W. Maximum 4.0 W.
6	Lowest Resonant Frequency	245 $\pm$ 49 Hz
7	Output Sound Pressure Level	87 $\pm$ 3 dB / 1 Watt 1 Meter. Average at 300,400,500,600 Hz
8	Frequency Range	130~20K Hz. Average SPL-10 dB.
9	Distortion	5 % Maximum At 1000 Hz 1.0 W.
10	Abnormal Sound Test	Must be Normally Tested By 4.0 Volts Sine Wave.
11	Load Test	White Noise with Weighted Filter 4.0 Volts. (RMS) 96 Hrs.
12	Operation Temperature	-25°C ~ +70°C
13	Storage Temperature	-40°C ~ +85°C
14	Polarity	Diaphragm shall move Forward when Apply a Positive DC Current to the "+" or "Marked" Terminal.
15	Remarks	Above specifications on the strength of CNS4784 and CNS4785.



Unit:mm

Admitted:

Approved:

Made: