

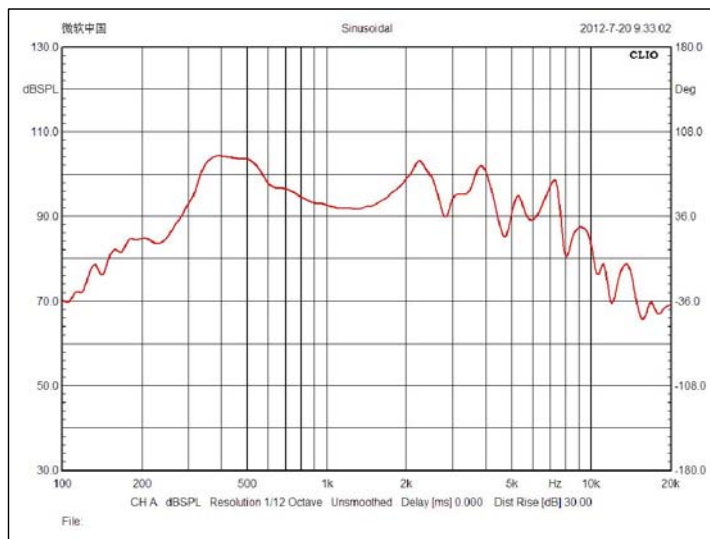
泉州豐群電子有限公司

C.C. FENG CHIUN ELECTRONIC CO., LTD.

OFFICE: TEL:+886-2-82522781
FAX:+886-2-82522782

FACTORY: TEL:+86-595-22632579
FAX:+86-595-22639258

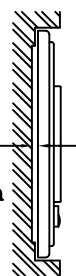
1	MODEL	57AP40M12-1(GP)
2	Dimension	Outer Diameter 56.8 mm Baffle Opening 51.0 mm.
		Height Refer to drawing Weight 33 Gram.
3	Magnet	Materials Rare Earth Size $\phi 12.5 \times 2.0$ mm.
4	Nominal Impedance	40 Ohm $\pm 15\%$
5	Power Rating	Normal 0.25 W. Maximum 0.5 W.
6	Lowest Resonant Frequency	450 \pm 90 Hz
7	Output Sound Pressure Level	94 \pm 3 dB / 0.1 Watt 0.1 Meter.
		Average at 600,800,1000,1200 HZ
8	Frequency Range	240~7800 Hz. Average SPL-10 dB.
9	Distortion	5 % Maximum At 1000 Hz 0.25 W.
10	Abnormal Sound Test	Must be Normally Tested By 3.16 Volts Sine Wave.
11	Load Test	White Noise with Weighted Filter 3.16 Volts. (RMS) 96 Hrs.
12	Operation Temperature	-25°C ~ +60°C
13	Storage Temperature	-40°C ~ +70°C
14	Polarity	Diaphragm shall move Forward when Apply a Positive DC
		Current to the "+" or "Marked" Terminal.
15	Remarks	Above specifications on the strength of CNS4784 and CNS4785.



Bill of Material	
ITEM	SPEC.
SURROUND	PET
CONE	PET
DUST CAP	PET

Dimension:
details see drawing name “57AP40M12-1(GP)外觀圖”。

At Least
0.5mm
For
Diaphragm
Moving

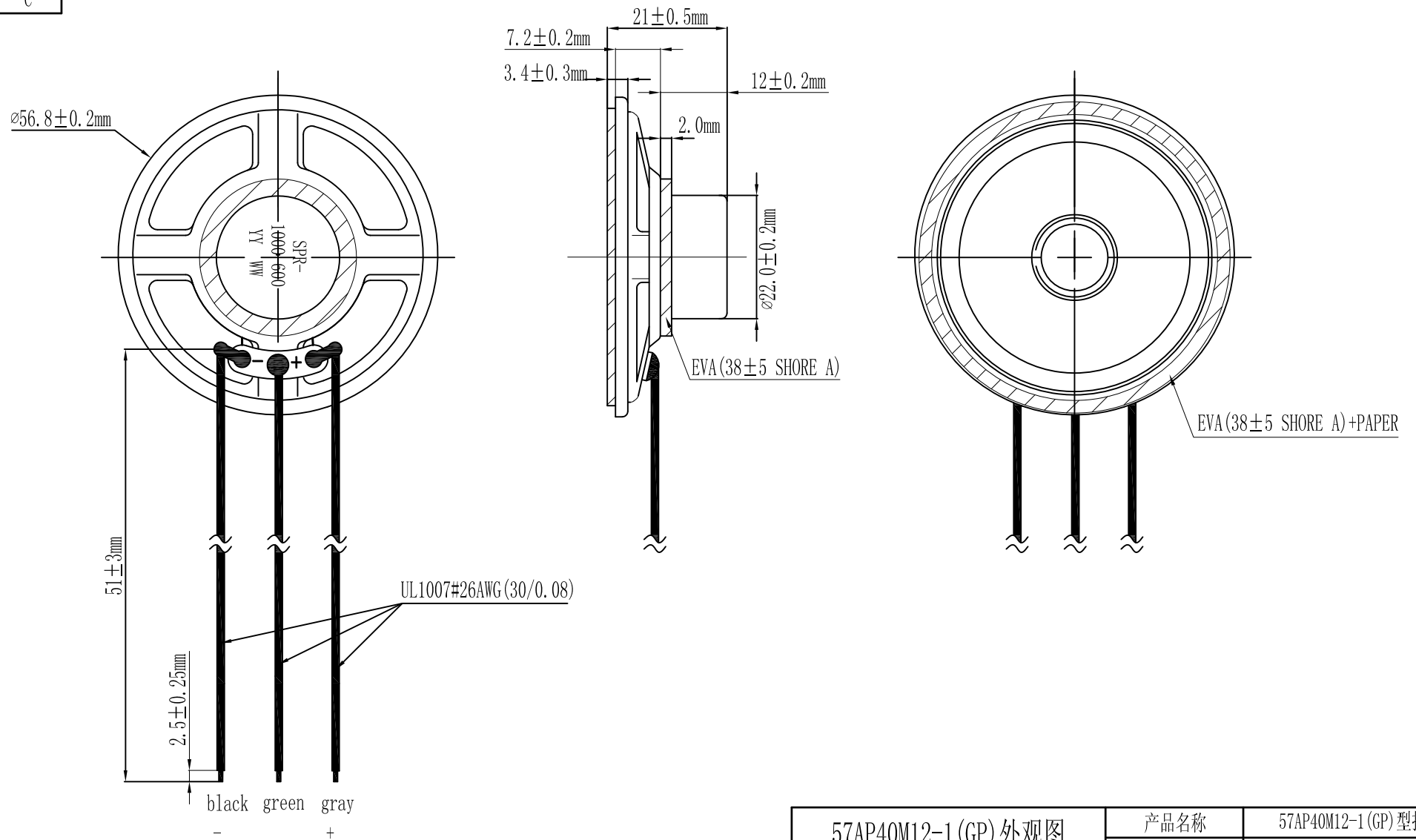


Unit:mm

Admitted:

Approved:

Made:



57AP40M12-1 (GP) 外观图			产品名称		57AP40M12-1 (GP) 型扬声器	
			料号			
设计			比例	1:1	数量	
制图			材料		重量	
审核			共 1 页 第 1 页			
工艺			 泉州豐勤電子有限公司 QUANZHOU FENGQIN ELECTRONIC CO., LTD.			
标准化						
批准						