

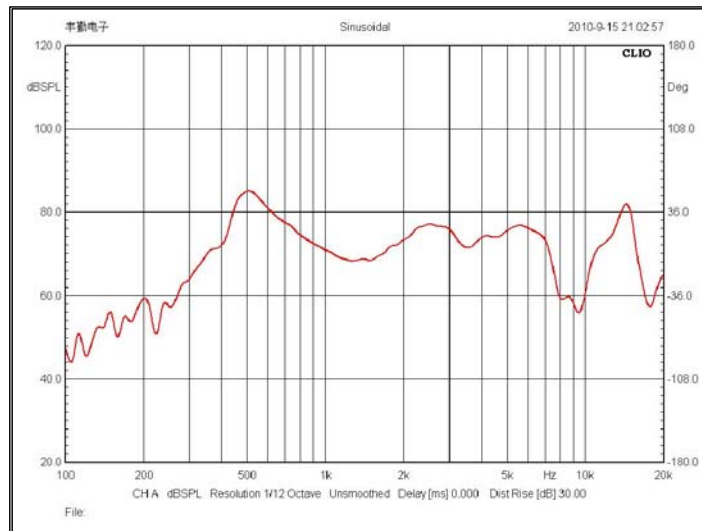
# 泉州豐群電子有限公司

## C.C. FENG CHIUN ELECTRONIC CO., LTD.

OFFICE: TEL:+886-2-82522781  
FAX:+886-2-82522782

FACTORY: TEL:+86-595-22632579  
FAX:+86-595-22639258

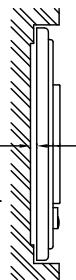
1	MODEL	2045CP04P1(GP)
2	Dimension	20X44.6X20.5H Weight 12.5 Gram.
3	Magnet	Materials Rare Earth Size $\phi 9.6 \times 2.2$ mm.
4	Nominal Impedance	4 Ohm $\pm 15\%$
5	Power Rating	Normal 3.0 W. Maximum 4.0 W.
6	Lowest Resonant Frequency	490 $\pm 98$ Hz
7	Output Sound Pressure Level	74 $\pm 3$ dB / 1 Watt 1 Meter.
		Average at 600,800,1000,1200 Hz
8	Frequency Range	300~20K Hz. Average SPL-10 dB.
9	Distortion	5 % Maximum At 1000 Hz 3.0 W.
10	Abnormal Sound Test	Must be Normally Tested By 3.46 Volts Sine Wave.
11	Load Test	White Noise with Weighted Filter 3.46 Volts. (RMS) 48 Hrs.
12	Operation Temperature	-25°C ~ +60°C
13	Storage Temperature	-40°C ~ +70°C
14	Polarity	Diaphragm shall move Forward when Apply a Positive DC
		Current to the "+" or "Marked" Terminal.
15	Remarks	Above specifications on the strength of CNS4784 and CNS4785.



Bill of Material	
ITEM	SPEC.
SURROUND	PU
CONE	PAPER
DUST CAP	PET

Dimension:  
details see drawing name “2045CP04P1(GP)外觀圖”。

At Least  
0.5mm  
For  
Diaphragm  
Moving

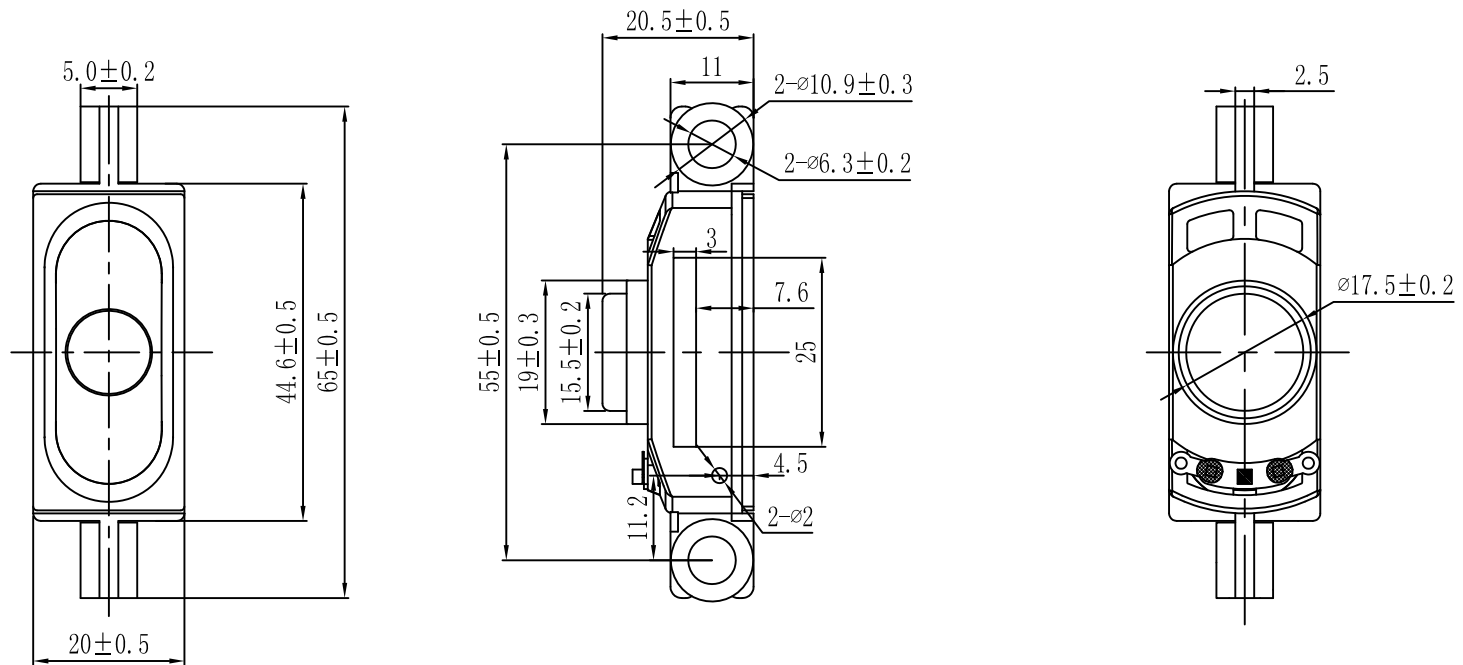


Unit:mm

Admitted:

Approved:

Made:



2045CP04P1 (GP) 外观图			产品名称		2045CP04P1 (GP)型扬声器	
			料号			
设计			比例	1:1	数量	
制图			材料		重量	
审核			共 1 页 第 1 页			
工艺			 泉州豐勤電子有限公司 QUANZHOU FENGQIN ELECTRONIC CO., LTD.			
标准化						
批准						