

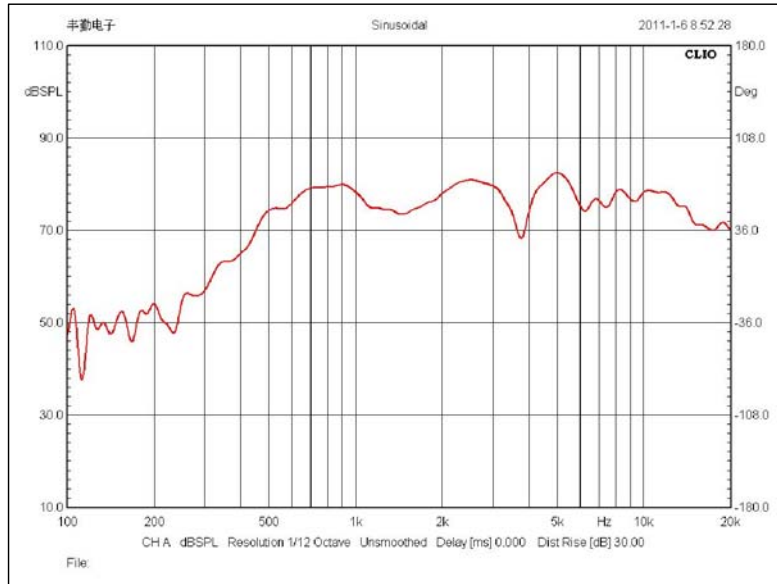
泉州豐群電子有限公司

C.C. FENG CHIUN ELECTRONIC CO., LTD.

OFFICE: TEL:+886-2-82522781
FAX:+886-2-82522782

FACTORY: TEL:+86-595-22632579
FAX:+86-595-22639258

1	MODEL	2040CP08P6-1(GP)			
2	Dimension	19.9X39.9X5.9H	Weight	6.2	Gram.
3	Magnet	Materials Rare Earth	Size	∅10.5X1.0	mm.
4	Nominal Impedance	8 Ohm	± 15 %		
5	Power Rating	Normal	2.0 W.	Maximum	3.0 W.
6	Lowest Resonant Frequency	850	±	170	Hz
7	Output Sound Pressure Level	76 ± 3 dB / 1 Watt 1 Meter.			
		Average at	1000,1200,1500,2000 Hz		
8	Frequency Range	420~20K	Hz.	Average SPL-10	dB.
9	Distortion	5 %	Maximum At	1000 Hz	2.0 W.
10	Abnormal Sound Test	Must be Normally Tested By		4.0	Volts Sine Wave.
11	Load Test	White Noise with Weighted Filter		4.0 Volts. (RMS)	24 Hrs.
12	Operation Temperature	-25°C ~ +60°C			
13	Storage Temperature	-40°C ~ +70°C			
14	Polarity	Diaphragm shall move Forward when Apply a Positive DC			
		Current to the "+" or "Marked" Terminal.			
15	Remarks	Above specifications on the strength of CNS4784 and CNS4785.			

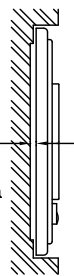


Bill of Material

DIAPHRAGM	CLOTH
-----------	-------

Dimension:
details see drawing name “2040CP08P6-1(GP)外观图”。

At Least
1.0mm
For
Diaphragm
Moving

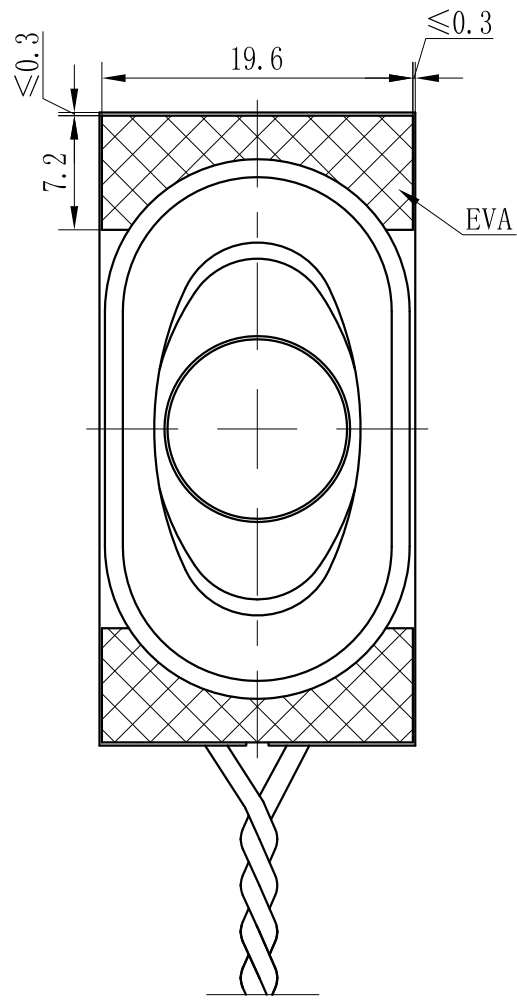
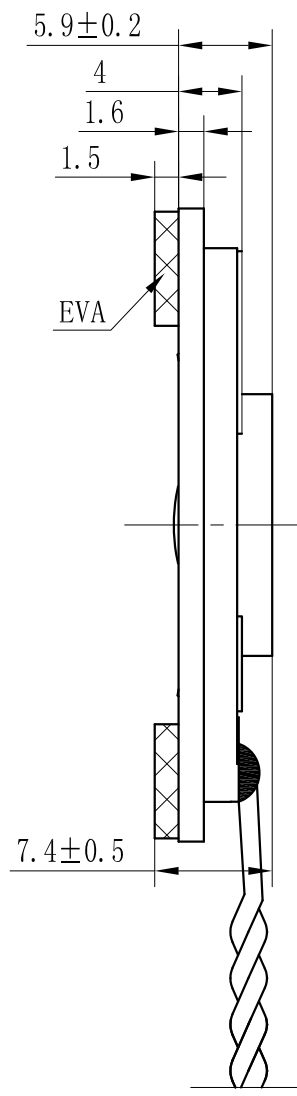
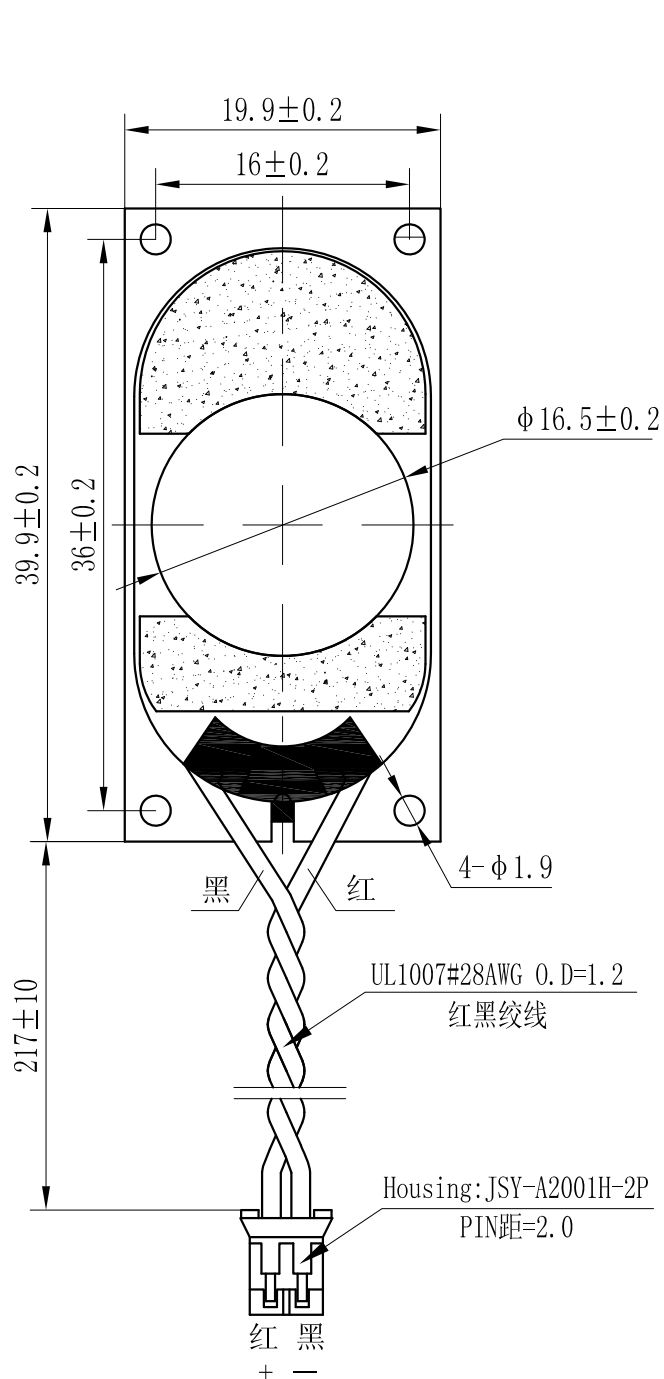


Unit:mm

Admitted:

Approved:

Made:



2040CP08P6-1 (GP) 外观图			产品名称		2040CP08P6-1 (GP) 型扬声器	
设计			料号			
制图			比例	2:1	数量	
审核			材料		重量	
工艺			共 1 页 第 1 页			
标准化			泉州豐勤電子有限公司			
批准			QUANZHOU FENGQIN ELECTRONIC CO., LTD.			