

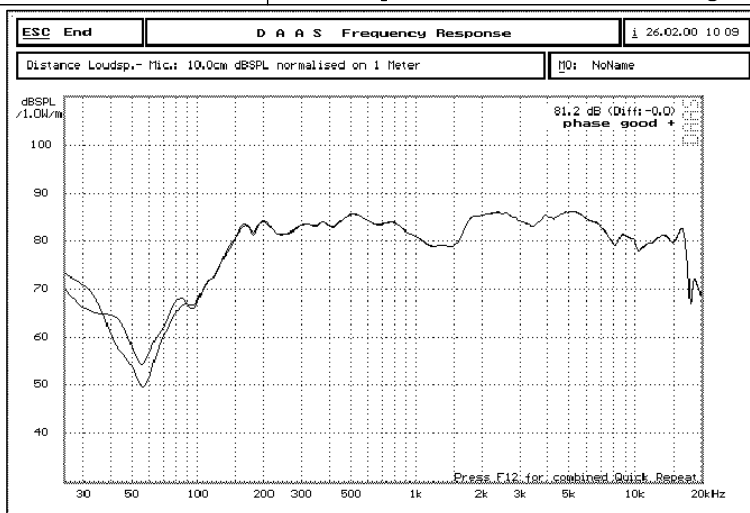
# 泉州豐群電子有限公司

## C.C. FENG CHIUN ELECTRONIC CO., LTD.

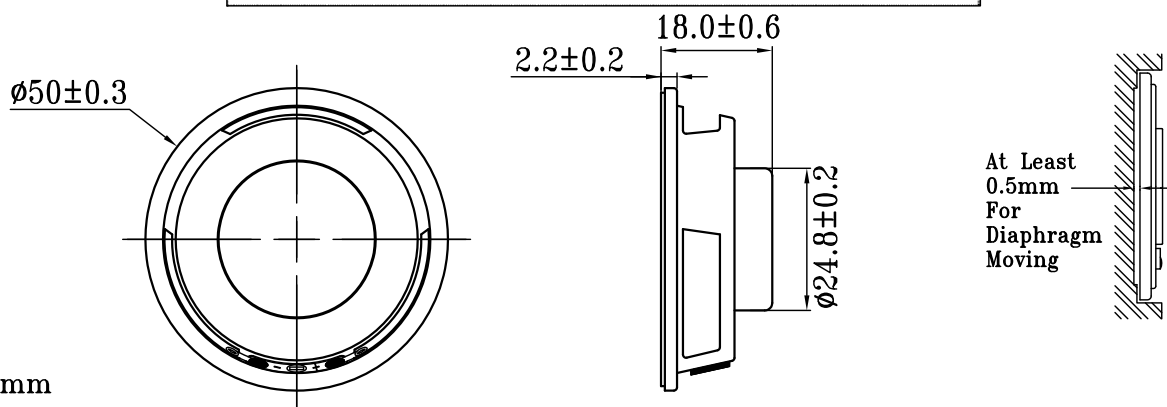
OFFICE: TEL:+886-2-82522781  
FAX:+886-2-82522782

FACTORY: TEL:+86-595-22632579  
FAX:+86-595-22639258

1	MODEL	50CP04M7-4(GP)
2	Dimension	Outer Diameter 50 mm Baffle Opening 45.7 mm.
		Height Refer to drawing Weight 32.5 Gram.
3	Magnet	Materials Rare Earth Size $\phi 18.7 \times 3.5$ mm.
4	Nominal Impedance	4 Ohm $\pm 15\%$
5	Power Rating	Normal 2.0 W. Maximum 4.0 W.
6	Lowest Resonant Frequency	210 $\pm$ 42 Hz
7	Output Sound Pressure Level	84 $\pm$ 3 dB / 1 Watt 1 Meter.
		Average at 300,400,500,600 Hz
8	Frequency Range	160~20K Hz. Average SPL-10 dB.
9	Distortion	5 % Maximum At 1000 Hz 2.0 W.
10	Abnormal Sound Test	Must be Normally Tested By 2.83 Volts Sine Wave.
11	Load Test	Pink Noise with Weighted Filter 2.83 Volts. (RMS) 96 Hrs.
12	Operation Temperature	-25°C ~ +70°C
13	Storage Temperature	-40°C ~ +85°C
14	Polarity	Diaphragm shall move Forward when Apply a Positive DC
		Current to the "+" or "Marked" Terminal.
15	Remarks	Above specifications on the strength of CNS4784 and CNS4785.



Bill of Material	
ITEM	SPEC.
SURROUND	PU
CONE	PAPER
DUST CAP	PAPER



Admitted:

Approved:

Made: