

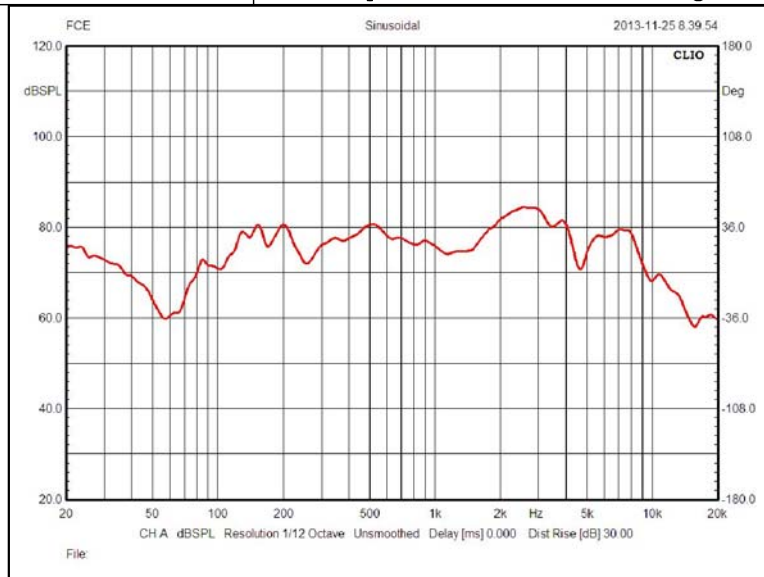
泉州豐群電子有限公司

C.C. FENG CHIUN ELECTRONIC CO., LTD.

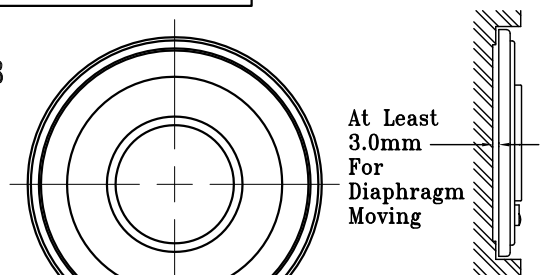
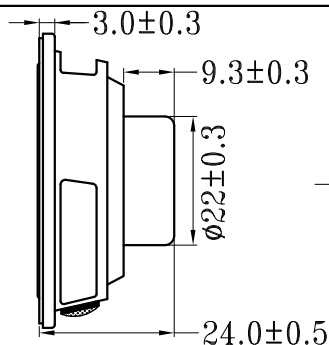
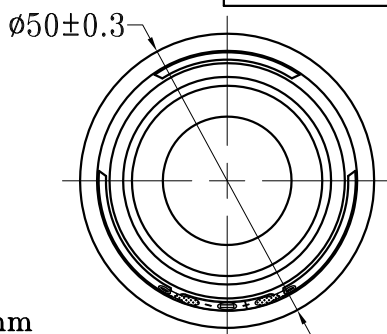
OFFICE: TEL:+886-2-82522781
FAX:+886-2-82522782

FACTORY: TEL:+86-595-22632579
FAX:+86-595-22639258

1	MODEL	50CP03M22(GP)
2	Dimension	Outer Diameter 50 mm Baffle Opening 44.7 mm.
		Height Refer to drawing Weight 32.5 Gram.
3	Magnet	Materials Rare Earth Size $\phi 13.85 \times 3.0$ / $\phi 15.5 \times 4.0$ mm.
4	Nominal Impedance	3 Ohm $\pm 15\%$
5	Power Rating	Normal 3.0 W. Maximum 4.0 W.
6	Lowest Resonant Frequency	100 \pm 20 Hz
7	Output Sound Pressure Level	77 \pm 3 dB / 1 Watt 1 Meter.
		Average at 150,200,250,300 Hz
8	Frequency Range	73~20K Hz. Average SPL-10 dB.
9	Distortion	5 % Maximum At 1000 Hz 1.0 W.
10	Abnormal Sound Test	Must be Normally Tested By 3.0 Volts Sine Wave.
11	Load Test	White Noise with Weighted Filter 3.0 Volts. (RMS) 96 Hrs.
12	Operation Temperature	-25°C ~ +70°C
13	Storage Temperature	-40°C ~ +85°C
14	Polarity	Diaphragm shall move Forward when Apply a Positive DC
		Current to the "+" or "Marked" Terminal.
15	Remarks	Above specifications on the strength of CNS4784 and CNS4785.



Bill of Material	
ITEM	SPEC.
SURROUND	PU
DIAPHRAGM	PAPER
DUST CAP	PET



Unit:mm

Admitted:

Approved:

Made: