

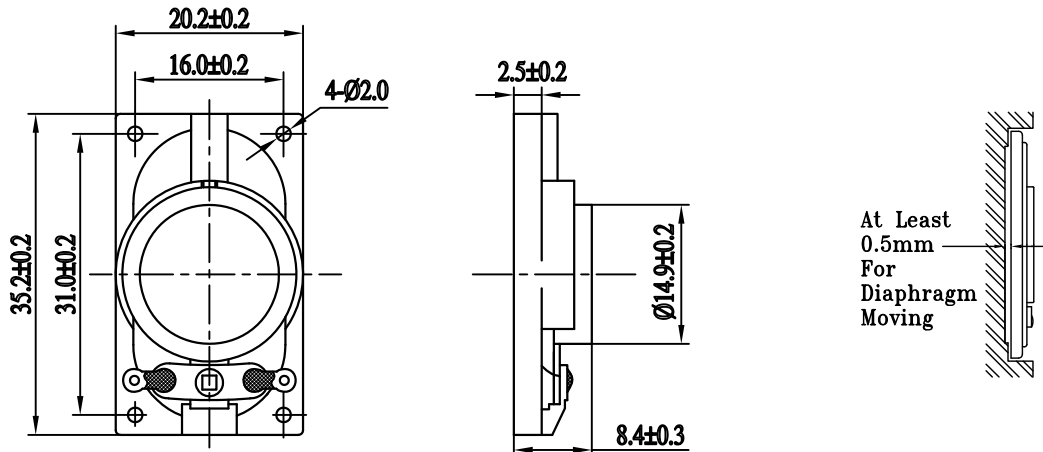
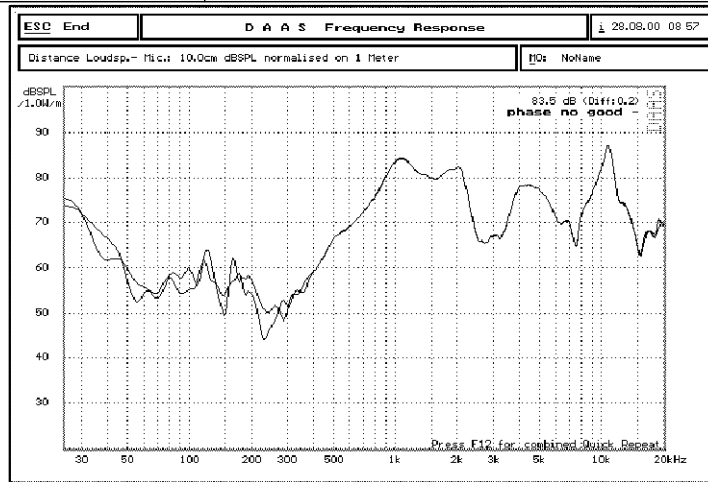
泉州豐群電子有限公司

C.C. FENG CHIUN ELECTRONIC CO., LTD.

OFFICE: TEL:+886-2-82522781
FAX:+886-2-82522782

FACTORY: TEL:+86-595-22632579
FAX:+86-595-22639258

1	MODEL	2035CP32P1(GP)
2	Dimension	20.2X35.2X8.4H Weight 6.0 Gram.
3	Magnet	Materials Rare Earth Size $\phi 11.0 \times 1.7$ mm.
4	Nominal Impedance	32 Ohm $\pm 15\%$
5	Power Rating	Normal 1.0 W. Maximum 2.0 W.
6	Lowest Resonant Frequency	1090 \pm 218 Hz
7	Output Sound Pressure Level	78 \pm 3 dB / 1 Watt 1 Meter.
		Average at 1200,1500,2000,2500 Hz
8	Frequency Range	580~20K Hz. Average SPL-10 dB.
9	Distortion	5 % Maximum At 1000 Hz 1.0 W.
10	Abnormal Sound Test	Must be Normally Tested By 5.66 Volts Sine Wave.
11	Load Test	White Noise with Weighted Filter 5.66 Volts. (RMS) 48 Hrs.
12	Operation Temperature	-25°C ~ +60°C
13	Storage Temperature	-40°C ~ +70°C
14	Polarity	Diaphragm shall move Forward when Apply a Positive DC
		Current to the "+" or "Marked" Terminal.
15	Remarks	Above specifications on the strength of CNS4784 and CNS4785.



Unit:mm

Admitted:

Approved:

Made: