

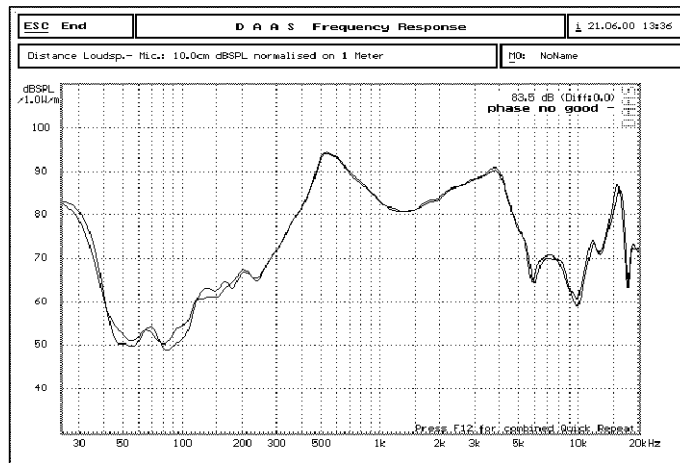
# 泉州豐群電子有限公司

## C.C. FENG CHIUN ELECTRONIC CO., LTD.

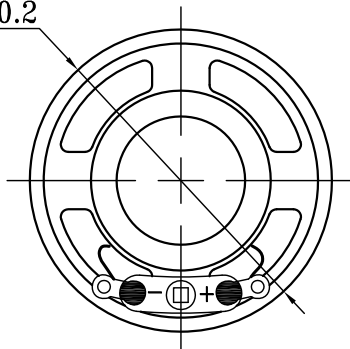
OFFICE: TEL:+886-2-82522781  
FAX:+886-2-82522782

FACTORY: TEL:+86-595-22632579  
FAX:+86-595-22632580

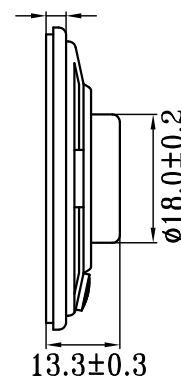
1	MODEL	45CM08R(GP)
2	Dimension	Outer Diameter 44.4 mm Baffle Opening 41.3 mm.
		Height Refer to drawing Weight 14.5 Gram.
3	Magnet	Materials Rare Earth Size $\phi 12.5 \times 3.0$ mm.
4	Nominal Impedance	8 Ohm $\pm 15\%$
5	Power Rating	Normal 3.0 W. Maximum 5.0 W.
6	Lowest Resonant Frequency	570 $\pm$ 114 Hz
7	Output Sound Pressure Level	86 $\pm 3$ dB /1 Watt 1 Meter.
		Average at 600,800,1000,1200 Hz
8	Frequency Range	350~5000 Hz. Average SPL-10 dB.
9	Distortion	5 % Maximum At 1000 Hz 3.0 W.
10	Abnormal Sound Test	Must be Normally Tested By 4.9 Volts Sine Wave.
11	Load Test	White Noise with Weighted Filter 4.9 Volts. (RMS) 48 Hrs.
12	Operation Temperature	-25°C ~ +60°C
13	Storage Temperature	-40°C ~ +70°C
14	Polarity	Diaphragm shall move Forward when Apply a Positive DC
		Current to the "+" or "Marked" Terminal.
15	Remarks	Above specifications on the strength of CNS4784 and CNS4785.



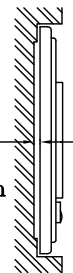
$\phi 44.4 \pm 0.2$



$4.2 \pm 0.2$



At Least  
1.5mm  
For  
Diaphragm  
Moving



Unit:mm

Admitted:

Approved:

Made: