

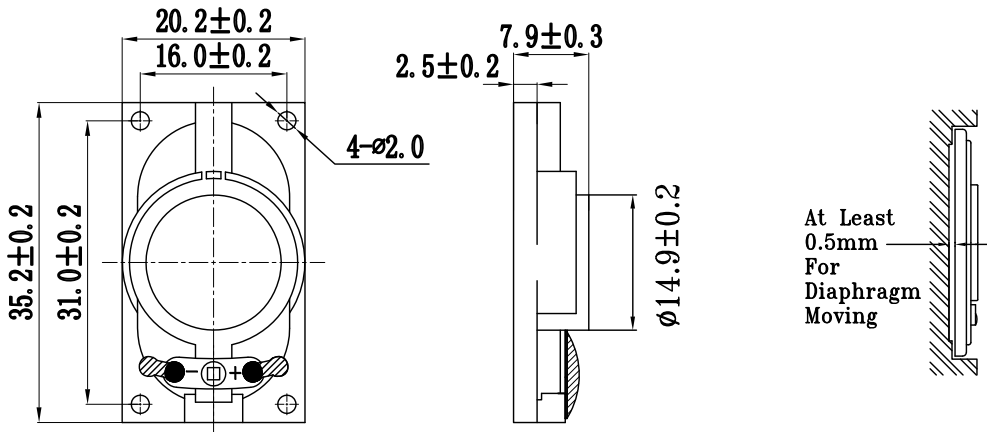
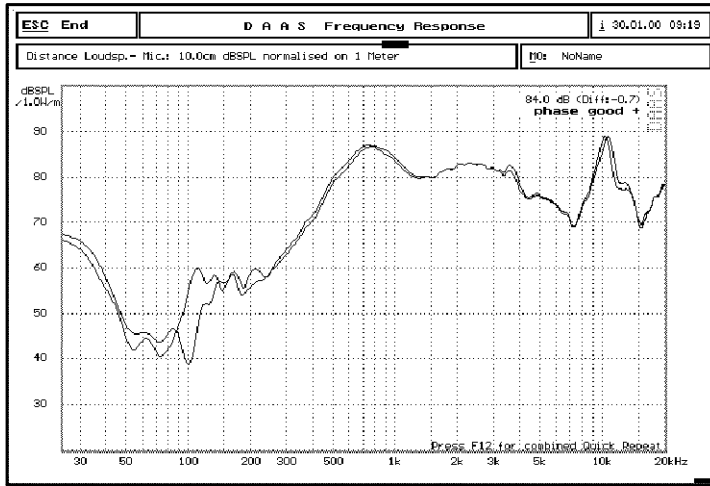
泉州豐群電子有限公司

C.C. FENG CHIUN ELECTRONIC CO., LTD.

OFFICE: TEL:+886-2-82522781
FAX:+886-2-82522782

FACTORY: TEL:+86-595-22632579
FAX:+86-595-22639258

| | | |
|----|-----------------------------|--|
| 1 | MODEL | 2035CP08P1-4/2035CP08-4(GP) |
| 2 | Dimension | 20.2X35.2X7.9H Weight 6.4 Gram. |
| 3 | Magnet | Materials Rare Earth Size $\phi 11.0 \times 1.7$ mm. |
| 4 | Nominal Impedance | 8 Ohm $\pm 15\%$ |
| 5 | Power Rating | Normal 1.0 W. Maximum 2.0 W. |
| 6 | Lowest Resonant Frequency | 630 \pm 126 Hz |
| 7 | Output Sound Pressure Level | 83 \pm 3 db / 1 Watt 1 Meter. |
| | | Average at 800,1000,1200,1500 HZ |
| 8 | Frequency Range | 430~20K Hz. Average SPL-10 db. |
| 9 | Distortion | 5 % Maximum At 1000 Hz 1.0 W. |
| 10 | Abnormal Sound Test | Must be Normally Tested By 2.83 Volts Sine Wave. |
| 11 | Load Test | White Noise with Weighted Filter 2.83 Volts. (RMS) 48 Hrs. |
| 12 | Operation Temperature | -25°C ~ +60°C |
| 13 | Storage Temperature | -40°C ~ +70°C |
| 14 | Polarity | Diaphragm shall move Forward when Apply a Positive DC |
| | | Current to the "+" or "Marked" Terminal. |
| 15 | Remarks | Above specifications on the strength of CNS4784 and CNS4785. |



Unit:mm

Admitted:

Approved:

Made: