

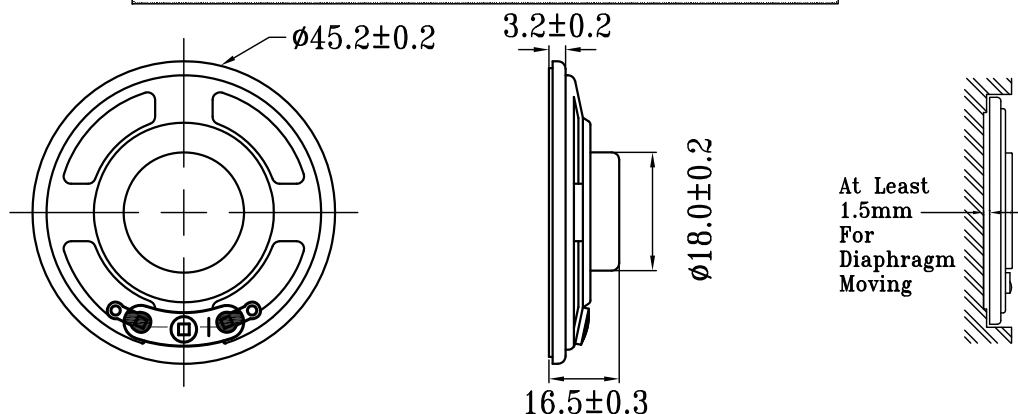
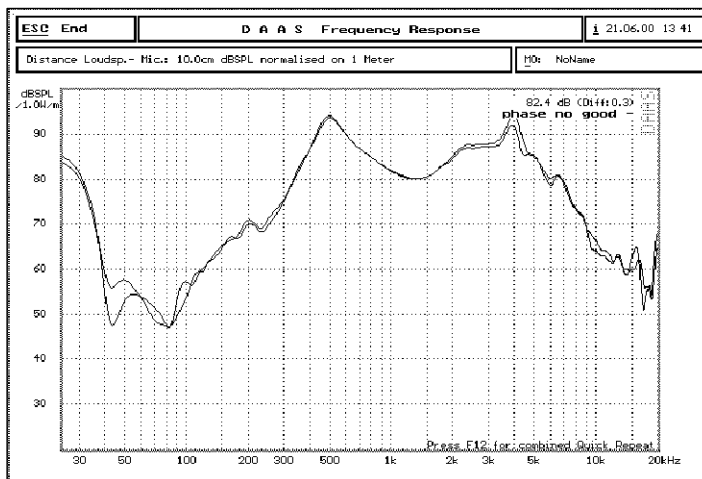
# 泉州豐群電子有限公司

## C.C. FENG CHIUN ELECTRONIC CO., LTD.

OFFICE: TEL:+886-2-82522781  
FAX:+886-2-82522782

FACTORY: TEL:+86-595-22632579  
FAX:+86-595-22632580

1	MODEL	45CM08E(GP)防水
2	Dimension	Outer Diameter 45.2 mm Baffle Opening 40.7 mm.
		Height Refer to drawing Weight 15.2 Gram.
3	Magnet	Materials Rare Earth Size $\phi 12.5 \times 3.0$ mm.
4	Nominal Impedance	8 Ohm $\pm 15\%$
5	Power Rating	Normal 3.0 W. Maximum 4.0 W.
6	Lowest Resonant Frequency	480 $\pm$ 96 Hz
7	Output Sound Pressure Level	84 $\pm$ 3 dB / 1 Watt 1 Meter.
		Average at 600,800,1000,1200 Hz
8	Frequency Range	300~8000 Hz. Average SPL-10 dB.
9	Distortion	5 % Maximum At 1000 Hz 3.0 W.
10	Abnormal Sound Test	Must be Normally Tested By 4.9 Volts Sine Wave.
11	Load Test	White Noise with Weighted Filter 4.9 Volts. (RMS) 48 Hrs.
12	Operation Temperature	-25°C ~ +60°C
13	Storage Temperature	-40°C ~ +70°C
14	Polarity	Diaphragm shall move Forward when Apply a Positive DC
		Current to the "+" or "Marked" Terminal.
15	Remarks	Above specifications on the strength of CNS4784 and CNS4785.



Unit:mm

Admitted:

Approved:

Made: