

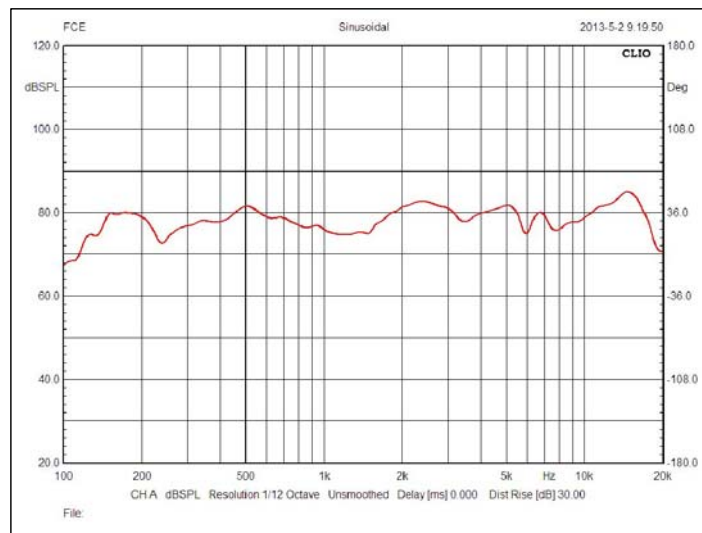
# 泉州豐群電子有限公司

## C.C. FENG CHIUN ELECTRONIC CO., LTD.

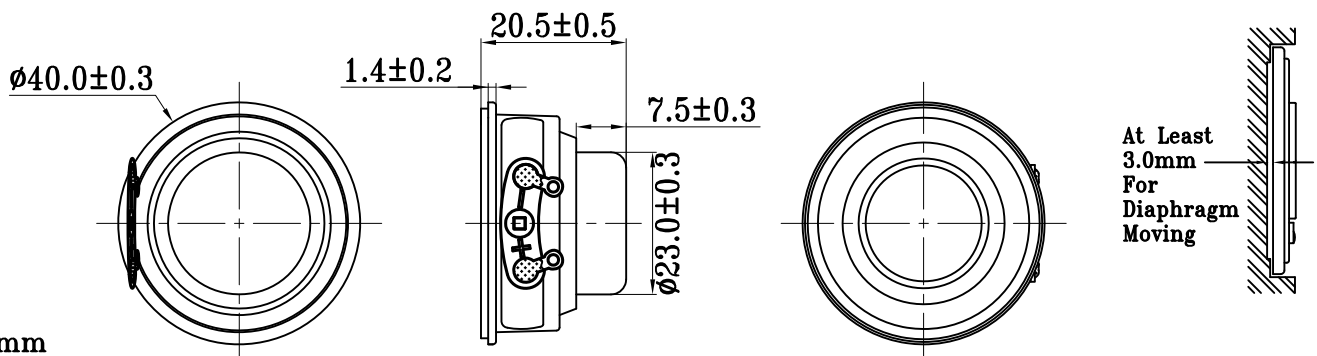
OFFICE: TEL:+886-2-82522781  
FAX:+886-2-82522782

FACTORY: TEL:+86-595-22632579  
FAX:+86-595-22639258

1	MODEL	40CP04M17-5(GP)
2	Dimension	Outer Diameter 40 mm Baffle Opening 36.4 mm. Height Refer to drawing Weight 28.1 Gram.
3	Magnet	Materials Rare Earth Size $\phi 12.5 \times 2.0$ $\phi 15.5 \times 4.0$ mm.
4	DC resistance	3 Ohm $\pm 15\%$
5	Power Rating	Normal 3.0 W. Maximum 4.0 W.
6	Lowest Resonant Frequency	150 $\pm$ 30 Hz
7	Output Sound Pressure Level	77 $\pm$ 3 dB / 1 Watt 1 Meter. Average at 250,300,400,500 HZ
8	Frequency Range	120~20K Hz. Average SPL-10 dB.
9	Distortion	5 % Maximum At 1000 Hz 1.0 W.
10	Abnormal Sound Test	Must be Normally Tested By 3.0 Volts Sine Wave.
11	Load Test	White Noise with Weighted Filter 3.0 Volts. (RMS) 96 Hrs.
12	Operation Temperature	-25°C ~ +70°C
13	Storage Temperature	-40°C ~ +85°C
14	Polarity	Diaphragm shall move Forward when Apply a Positive DC Current to the "+" or "Marked" Terminal.
15	Remarks	Above specifications on the strength of CNS4784 and CNS4785.



Bill of Material	
ITEM	SPEC.
SURROUND	PU
DIAPHRAGM	PAPER
DUST CAP	PAPER



Unit:mm

Admitted:

Approved:

Made: