

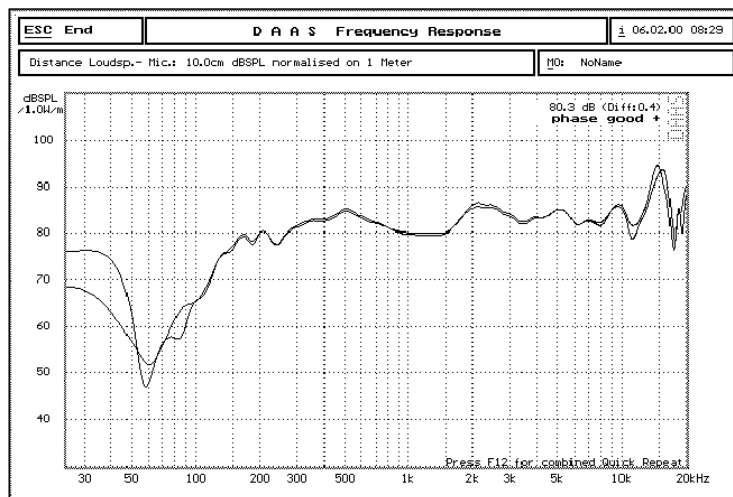
# 泉州豐群電子有限公司

## C.C. FENG CHIUN ELECTRONIC CO., LTD.

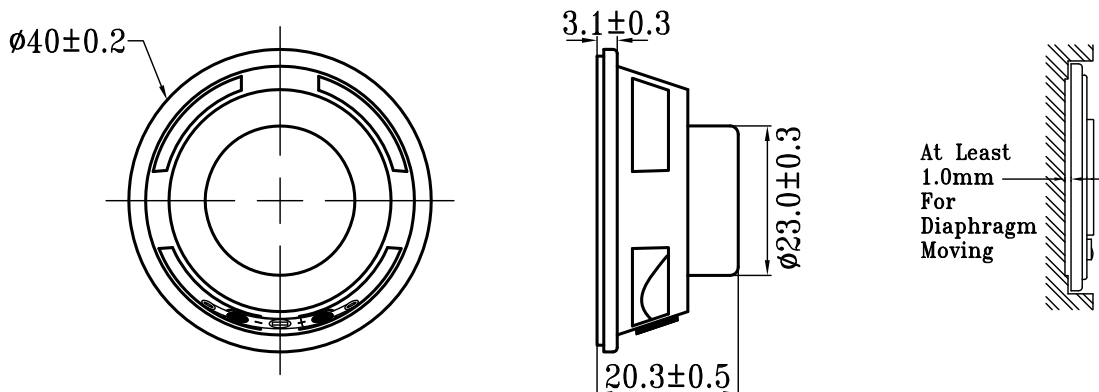
OFFICE: TEL:+886-2-82522781  
FAX:+886-2-82522782

FACTORY: TEL:+86-595-22632579  
FAX:+86-595-22639258

1	MODEL	40CP04C(GP)
2	Dimension	Outer Diameter 40 mm Baffle Opening 35.5 mm.
		Height Refer to drawing Weight 29.0 Gram.
3	Magnet	Materials Rare Earth Size $\phi 15.5 \times 3.5$ mm.
4	Nominal Impedance	4 Ohm $\pm 15\%$
5	Power Rating	Normal 2.0 W. Maximum 3.0 W.
6	Lowest Resonant Frequency	240 $\pm$ 48 Hz
7	Output Sound Pressure Level	83 $\pm$ 3 dB / 1 Watt 1 Meter.
		Average at 300,400,500,600 Hz
8	Frequency Range	130~20K Hz. Average SPL-10 dB.
9	Distortion	5 % Maximum At 1000 Hz 2.0 W.
10	Abnormal Sound Test	Must be Normally Tested By 2.83 Volts Sine Wave.
11	Load Test	White Noise with Weighted Filter 2.83 Volts. (RMS) 96 Hrs.
12	Operation Temperature	-25°C ~ +70°C
13	Storage Temperature	-40°C ~ +85°C
14	Polarity	Diaphragm shall move Forward when Apply a Positive DC Current to the "+" or "Marked" Terminal.
15	Remarks	Above specifications on the strength of CNS4784 and CNS4785.



Bill of Material	
ITEM	SPEC.
SURROUND	PU
DIAPHRAGM	PAPER
DUST CAP	PET



Unit:mm

Admitted:

Approved:

Made: