

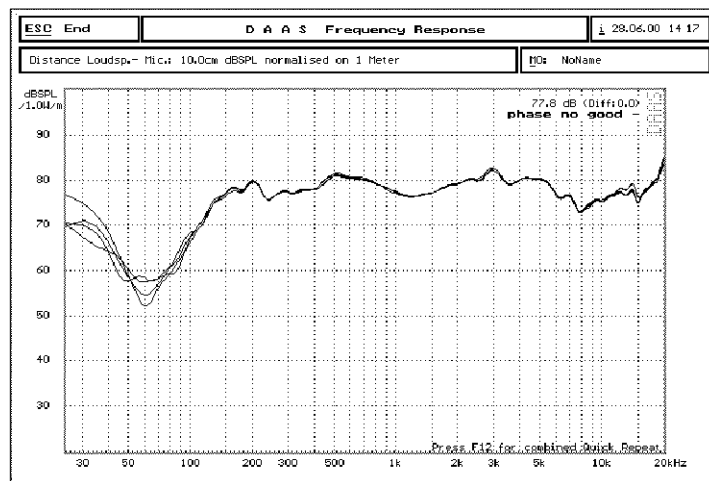
泉州豐群電子有限公司

C.C. FENG CHIUN ELECTRONIC CO., LTD.

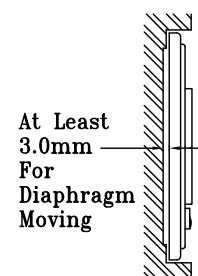
OFFICE: TEL:+886-2-82522781
FAX:+886-2-82522782

FACTORY: TEL:+86-595-22632579
FAX:+86-595-22632580

1	MODEL	35CP08P1-1(GP)			
2	Dimension	Outer Diameter	35.0 mm	Baffle Opening	mm.
		Height Refer to drawing	Weight	60.2	Gram.
3	Magnet	Materials	Rare Earth	Size	ø19.0X4.0 mm.
4	Nominal Impedance	8 Ohm	± 15 %		
5	Power Rating	Normal	3.0 W.	Maximum	4.0 W.
6	Lowest Resonant Frequency	200	±	40	Hz
7	Output Sound Pressure Level	79 ± 3 dB / 1 Watt 1 Meter.			
		Average at	300,400,500,600 Hz		
8	Frequency Range	120~20K	Hz.	Average SPL-10	dB.
9	Distortion	5 %	Maximum At	1000 Hz	3.0 W.
10	Abnormal Sound Test	Must be Normally Tested By		4.9	Volts Sine Wave.
11	Load Test	Pink Noise with Weighted Filter		4.9 Volts. (RMS)	24 Hrs.
12	Operation Temperature	-25°C ~ +60°C			
13	Storage Temperature	-40°C ~ +70°C			
14	Polarity	Diaphragm shall move Forward when Apply a Positive DC			
		Current to the "+" or "Marked" Terminal.			
15	Remarks	Above specifications on the strength of CNS4784 and CNS4785.			



Dimension:
details see drawing name “35CP08P1-1(GP)外观图”。

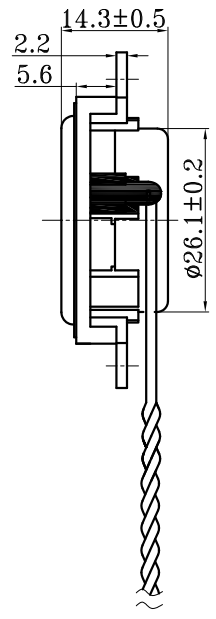
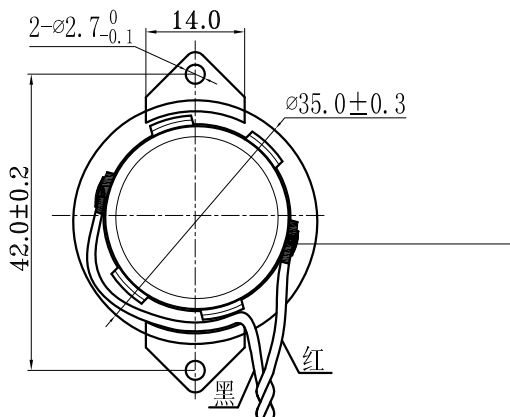


Unit:mm

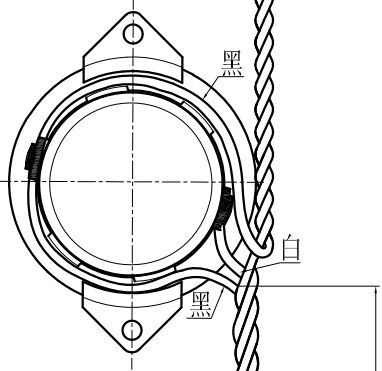
Admitted:

Approved:

Made:



红黑绞线
UL1007#26 O.D 1.3



红白黑绞线
UL1007#26 O.D 1.3

440±18
200±15

Housing: JST PHR-3
PIN距=2.0

红 黑 白
+ - +

35CP08P1-1 (GP) 外观图			产品名称		35CP08P1-1 (GP) 型扬声器	
			图 号		FC-35CP08P1-1 (GP)-	
设计			料 号			
制图			比 例	1:1	数 量	
审核			材 料		重 量	
工艺			共 1 页 第 1 页			
标准化			泉州豐勤電子有限公司 QUANZHOU FENGGIN ELECTRONIC CO.,LTD.			
批准						