



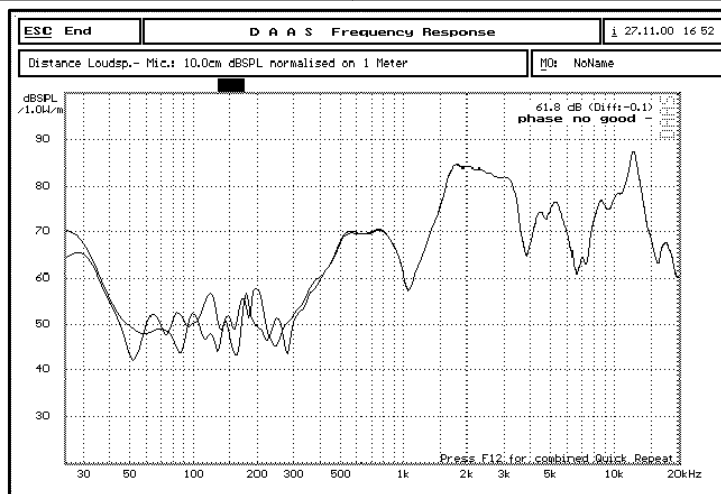
泉州豐群電子有限公司

C.C. FENG CHIUN ELECTRONIC CO., LTD.

OFFICE: TEL:+886-2-82522781
FAX:+886-2-82522782

FACTORY: TEL:+86-595-22632579
FAX:+86-595-22639258

1	MODEL	1436IBOX-30(GP)
2	Dimension	36.6X14.0X10.0H Weight 10.8 Gram.
3	Magnet	Materials Rare Earth Size ϕ 8.0X3.0 mm.
4	Nominal Impedance	8 Ohm \pm 15 %
5	Power Rating	Normal 1.5 W. Maximum 2.0 W.
6	Lowest Resonant Frequency	1640 \pm 328 Hz
7	Output Sound Pressure Level	79 \pm 3 dB / 1 Watt 1 Meter.
		Average at 2000,2500,3000,4000 HZ
8	Frequency Range	1350~3600 Hz. Average SPL-10 dB.
9	Distortion	5 % Maximum At 1000 Hz 1.0 W.
10	Abnormal Sound Test	Must be Normally Tested By 3.46 Volts Sine Wave.
11	Load Test	White Noise with Weighted Filter 3.46 Volts. (RMS) 48 Hrs.
12	Operation Temperature	-25°C ~ +60°C
13	Storage Temperature	-40°C ~ +70°C
14	Polarity	Diaphragm shall move Forward when Apply a Positive DC
		Current to the "+" or "Marked" Terminal.
15	Remarks	Above specifications on the strength of CNS4784 and CNS4785.



Bill of Material	
ITEM	SPEC.
SURROUND	CLOTH
DIAPHRAGM	CLOTH
DUST CAP	PET

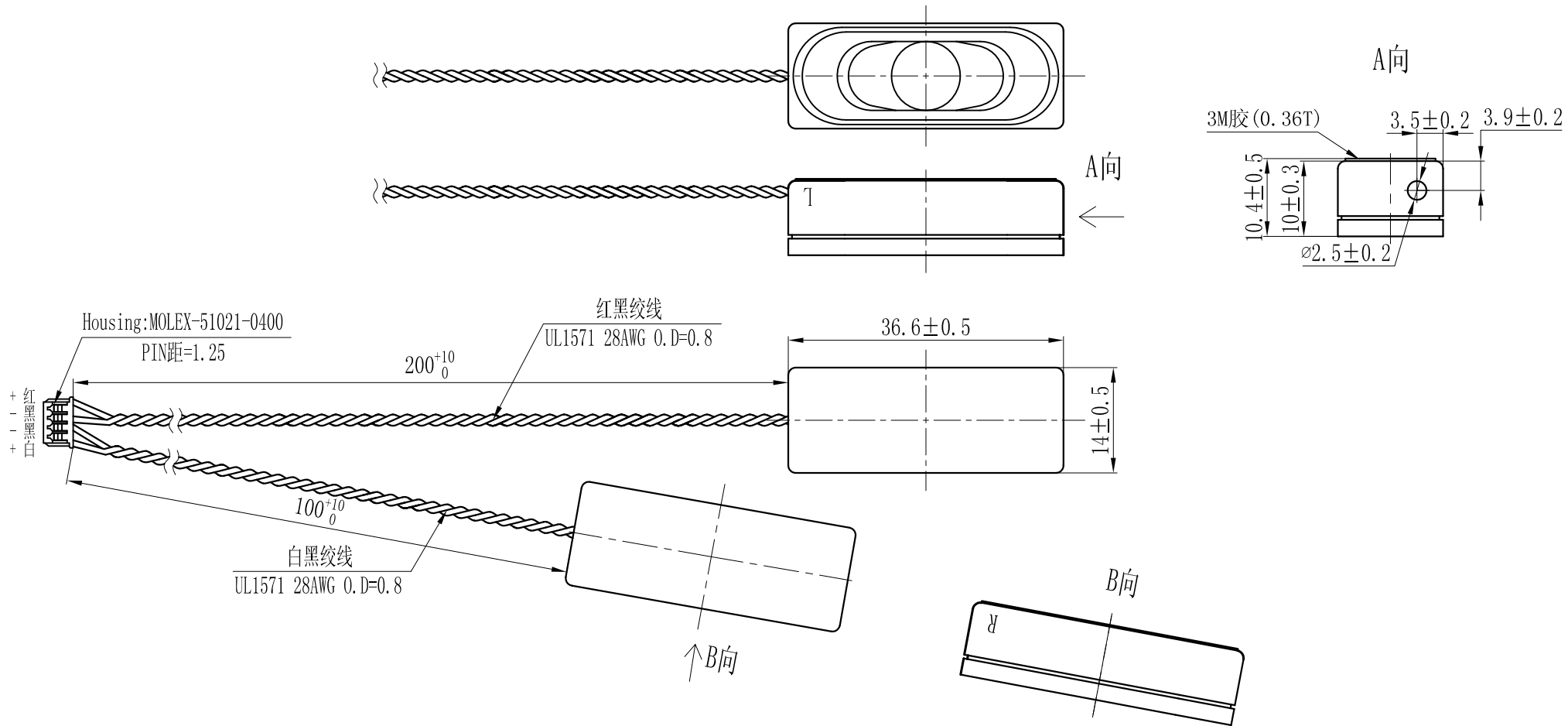
Dimension:
details see drawing name "1436IBOX-30(GP)外观图".

Unit:mm

Admitted:

Approved:

Made:



注：视图中的“L、R”字样须用白色的印油以盖章的方式盖在音箱壳上

1436IBOX-30 (GP) 外观图		产品名称	1436IBOX-30 (GP) 型音箱		
		图号	FC-1436IBOX-30 (GP)-12		
		料号			
设计		比例	1:1	数量	
制图		材料		重量	
审核		共 1 页 第 1 页			
工艺		泉州豐勤電子有限公司			
标准化		QUANZHOU FENGQIN ELECTRONIC CO., LTD.			
批准					