

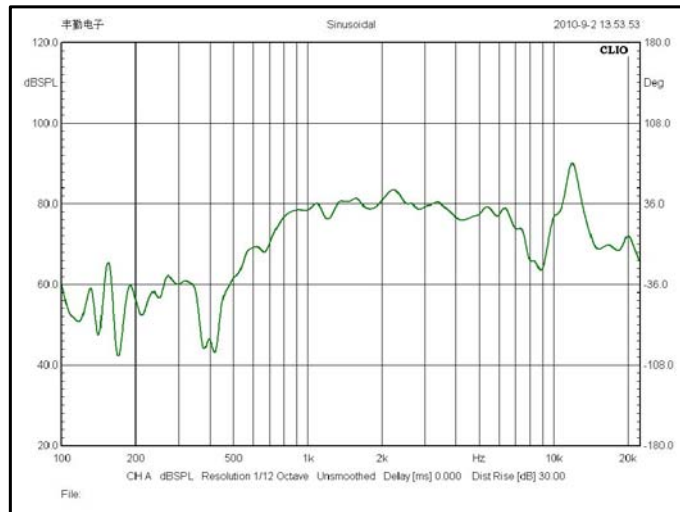
泉州豐群電子有限公司

C.C. FENG CHIUN ELECTRONIC CO., LTD.

OFFICE: TEL:+886-2-82522781
FAX:+886-2-82522782

FACTORY: TEL:+86-595-22632579
FAX:+86-595-22639258

1	MODEL	1425BOX-02(GP)
2	Dimension	26.6X15.6X8.7H Weight 8.3 Gram.
3	Magnet	Materials Rare Earth Size ϕ 8.0X2.0 mm.
4	Nominal Impedance	8 Ohm \pm 15 %
5	Power Rating	Normal 1.5 W. Maximum 2.0 W.
6	Lowest Resonant Frequency	700 \pm 140 Hz
7	Output Sound Pressure Level	80 \pm 3 dB / 1 Watt 0.3 Meter.
		Average at 800,1000,1200,1500 HZ
8	Frequency Range	600~20K Hz. Average SPL-10 dB.
9	Distortion	5 % Maximum At 1000 Hz 1.0 W.
10	Abnormal Sound Test	Must be Normally Tested By 3.46 Volts Sine Wave.
11	Load Test	White Noise with Weighted Filter 3.46 Volts. (RMS) 48 Hrs.
12	Operation Temperature	-25°C ~ +60°C
13	Storage Temperature	-40°C ~ +70°C
14	Polarity	Diaphragm shall move Forward when Apply a Positive DC
		Current to the "+" or "Marked" Terminal.
15	Remarks	Above specifications on the strength of CNS4784 and CNS4785.



Bill of Material	
ITEM	SPEC.
SURROUND	CLOTH
CONE	
DUST CAP	PET

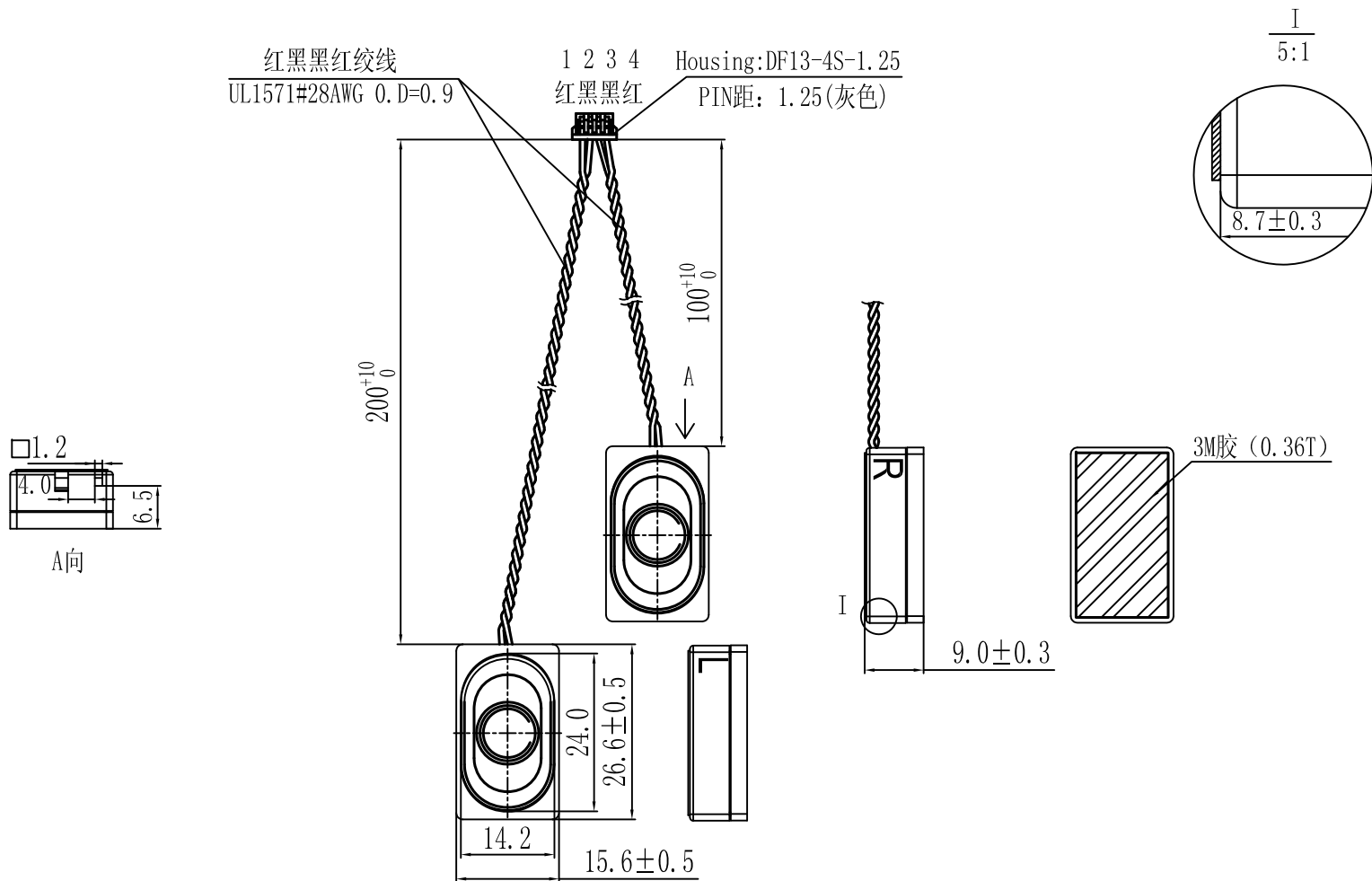
Dimension:
details see drawing name “1425BOX-02(GP)外观图”。

Unit:mm

Admitted:

Approved:

Made:



1425BOX-02(GP)外观图		产品名称		1425BOX-02(GP)型音箱	
		图号		1425BOX-02(GP)-02	
设计		料号			
制图		比例	1:1	数量	
审核		材料		重量	
工艺		共 1 页 第 1 页			
标准化		 泉州丰勤电子有限公司 QUANZHOU FENGQIN ELECTRONIC CO.,LTD.			
批准					