

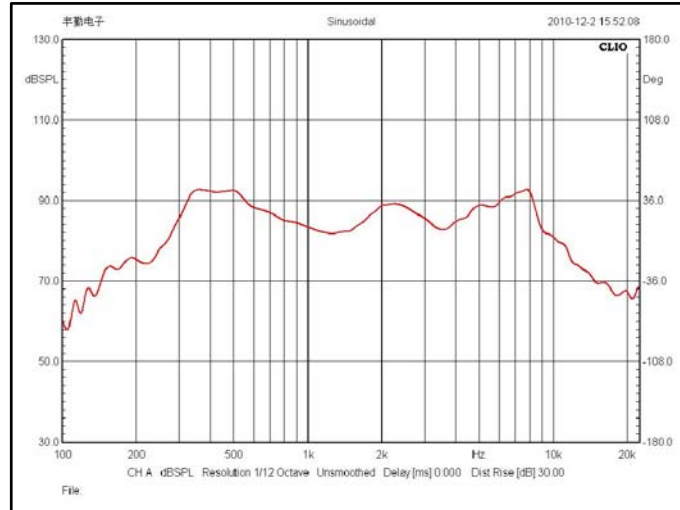
泉州豐群電子有限公司

C.C. FENG CHIUN ELECTRONIC CO., LTD.

OFFICE: TEL:+886-2-82522781
FAX:+886-2-82522782

FACTORY: TEL:+86-595-22632579
FAX:+86-595-22639258

1	MODEL	50IIBOX-04(GP)
2	Dimension	68.0X55.0X28.0H Weight 76.4 Gram.
3	Magnet	Materials Rare Earth Size ϕ 18.7X3.5 mm.
4	Nominal Impedance	4 Ohm \pm 15 %
5	Power Rating	Normal 2.0 W. Maximum 4.0 W.
6	Lowest Resonant Frequency	200 \pm 40 Hz
7	Output Sound Pressure Level	86 \pm 3 dB / 1 Watt 1 Meter.
		Average at 300,400,500,600 Hz
8	Frequency Range	200~20K Hz. Average SPL-10 dB.
9	Distortion	4 % Maximum At 1000 Hz 1.0 W.
10	Abnormal Sound Test	Must be Normally Tested By 2.83 Volts Sine Wave.
11	Load Test	White Noise with Weighted Filter 2.83 Volts. (RMS) 96 Hrs.
12	Operation Temperature	-25°C ~ +70°C
13	Storage Temperature	-40°C ~ +85°C
14	Polarity	Diaphragm shall move Forward when Apply a Positive DC
		Current to the "+" or "Marked" Terminal.
15	Remarks	Above specifications on the strength of CNS4784 and CNS4785.



Bill of Material	
ITEM	SPEC.
SURROUND	PU
DIAPHRAGM	PAPER
DUST CAP	PET

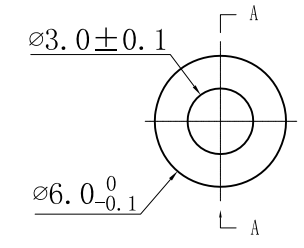
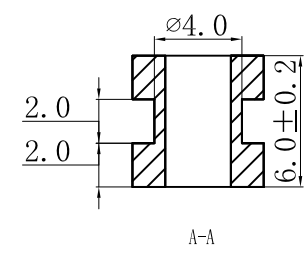
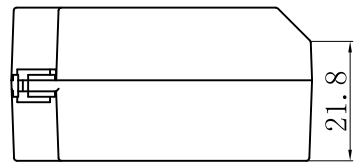
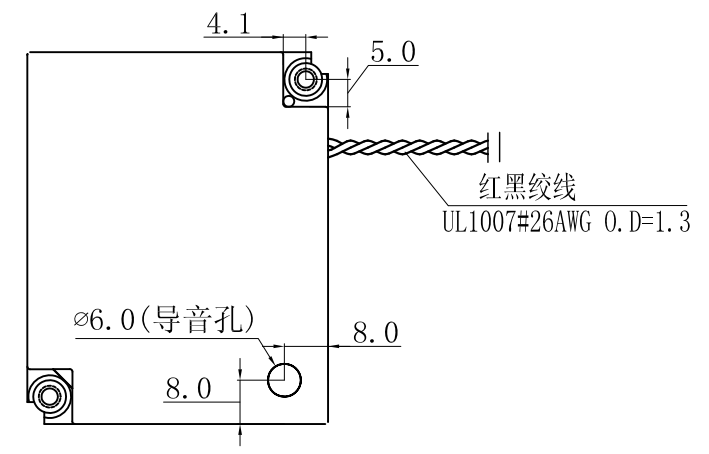
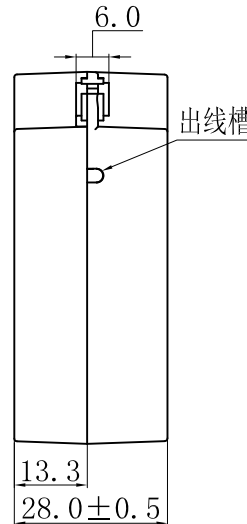
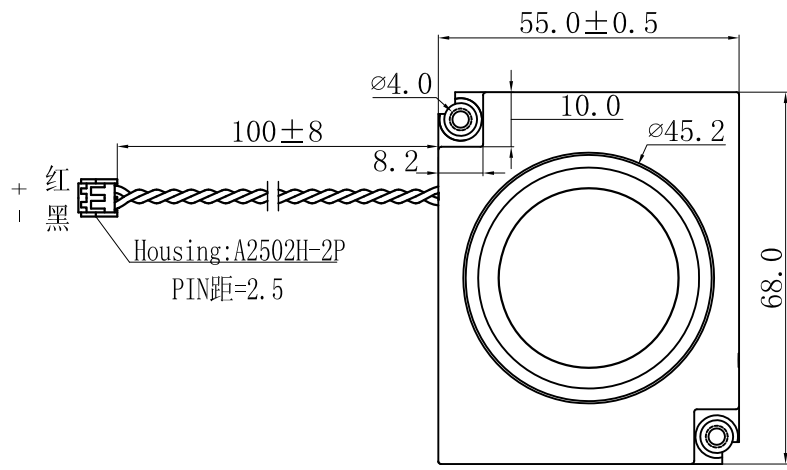
Dimension:
details see drawing name “50IIBOX-04(GP)外观图”。

Unit:mm

Admitted:

Approved:

Made:



注：未注公差按±0.3

50IIBOX-04 (GP) 外观图			产品名称		50IIBOX型音箱	
设计			料号			
制图			比例	1:1	数量	
审核			材料		重量	
工艺			共 1 页 第 1 页			
标准化			泉州豐勤電子有限公司 QUANZHOU FENGQIN ELECTRONIC CO.,LTD.			
批准						