

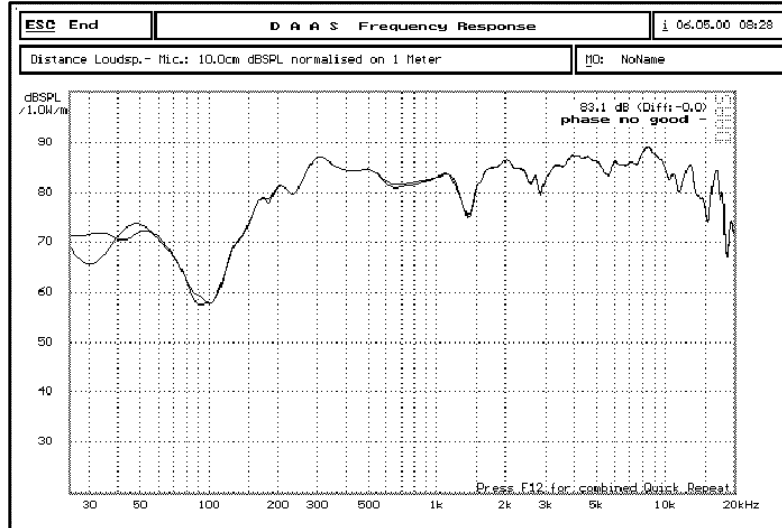
泉州豐群電子有限公司

C.C. FENG CHIUN ELECTRONIC CO., LTD.

OFFICE: TEL:+886-2-82522781
FAX:+886-2-82522782

FACTORY: TEL:+86-595-22632579
FAX:+86-595-22639258

1	MODEL	ZY-LTS-98(GP)				
2	Dimension	190.0X54.0X44.0H Weight 473.4 Gram.				
3	Magnet	Materials	Rare Earth Ferrite	Size	ø12.5X2.0 ø45.0Xø19.0X8 mm.	
4	Nominal Impedance	8	Ohm	± 15 %		
5	Power Rating	Normal	12.0	W.	Maximum	15.0 W.
6	Lowest Resonant Frequency	320		±	64 Hz	
7	Output Sound Pressure Level	82 ± 3 dB / 1 Watt 1 Meter.				
		Average at 500,600,800,1000 Hz				
8	Frequency Range	150~20K		Hz.	Average SPL-10 dB.	
9	Distortion	5 %	Maximum At		1000 Hz	1.0 W.
10	Abnormal Sound Test	Must be Normally Tested By 9.8 Volts Sine Wave.				
11	Load Test	White Noise with Weighted Filter 9.8 Volts. (RMS) 48 Hrs.				
12	Operation Temperature	-25°C ~ +70°C				
13	Storage Temperature	-40°C ~ +85°C				
14	Polarity	Diaphragm shall move Forward when Apply a Positive DC				
		Current to the "+" or "Marked" Terminal.				
15	Remarks	Above specifications on the strength of CNS4784 and CNS4785.				



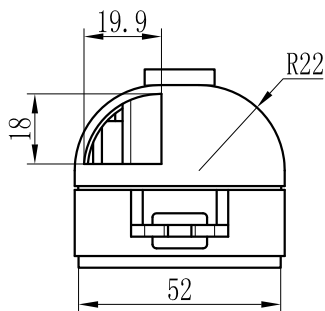
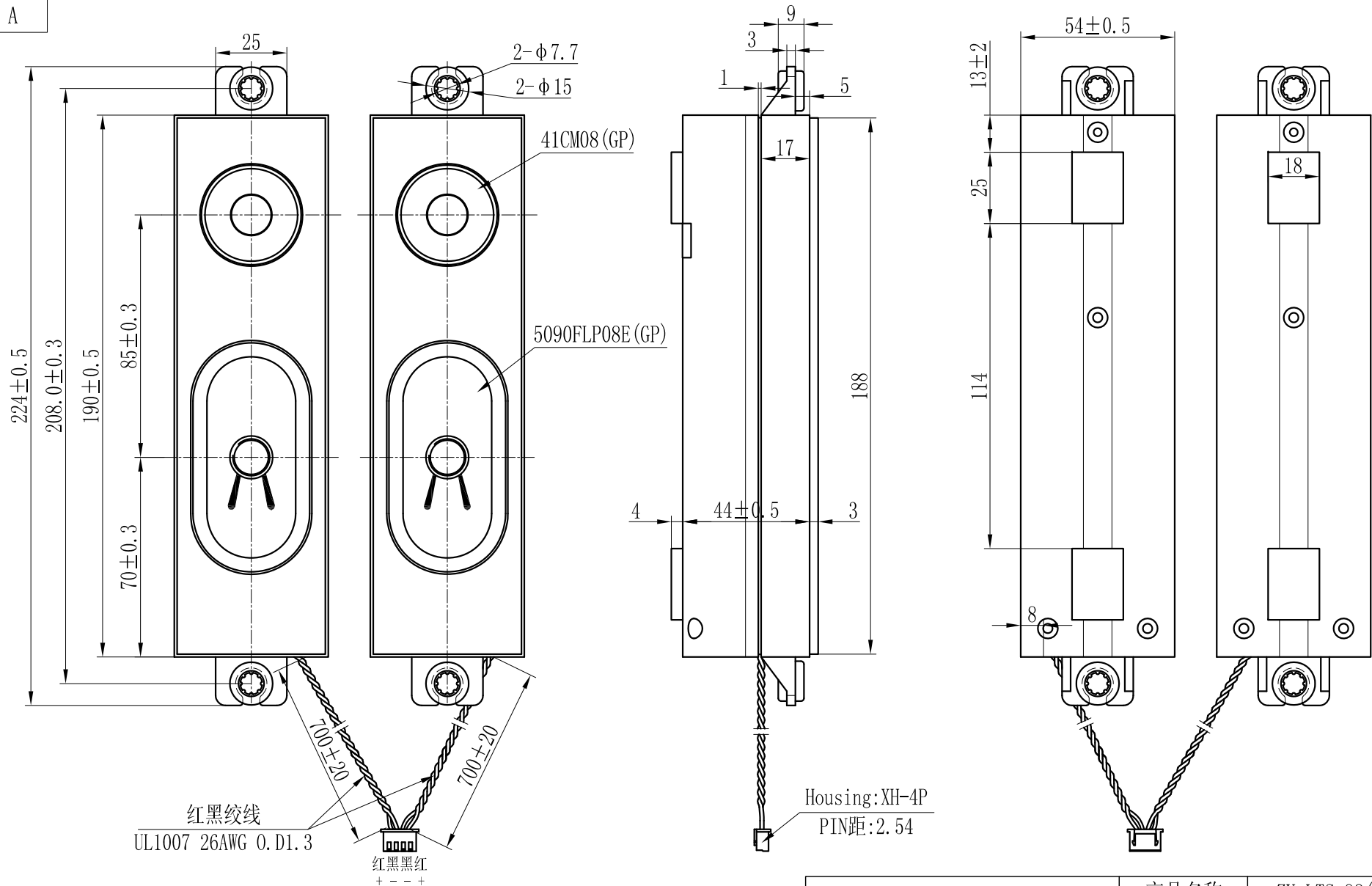
Bill of Material	
ITEM	SPEC.
SURROUND	PU, PET
CONE	PAPER, PET
DUST CAP	PAPER, PET

Dimension:
details see drawing name “ZY-LTS-98(GP)外观图”。

Admitted:

Approved:

Made:



ZY-LTS-98 (GP) 外观图		产品名称	ZY-LTS-98 (GP) 型音箱		
		图号	FC-ZY-LTS-98 (GP)-12		
设计		料号			
制图		比例	1:2	数量	
审核		材料		重量	
工艺		共 1 页 第 1 页			
标准化		泉州豐勤電子有限公司 QUANZHOU FENGQIN ELECTRONIC CO., LTD.			
批准					