

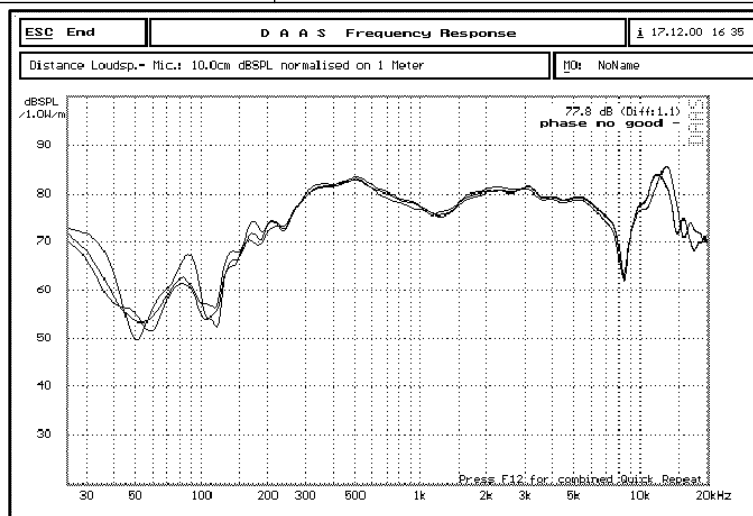
泉州豐群電子有限公司

C.C. FENG CHIUN ELECTRONIC CO., LTD.

OFFICE: TEL:+886-2-82522781
FAX:+886-2-82522782

FACTORY: TEL:+86-595-22632579
FAX:+86-595-22639258

1	MODEL	ZY-LTS-91(GP)
2	Dimension	40.0X100.0X19.0H Weight 119 Gram.
3	Magnet	Materials Rare Earth Size ϕ 19.5X4.0 mm.
4	Nominal Impedance	8 Ohm \pm 15 %
5	Power Rating	Normal 5.0 W. Maximum 8.0 W.
6	Lowest Resonant Frequency	280 \pm 56 Hz
7	Output Sound Pressure Level	81 \pm 3 dB / 1 Watt 1 Meter. Average at 400,500,600,800 Hz
8	Frequency Range	180~20K Hz. Average SPL-10 dB.
9	Distortion	5 % Maximum At 1000 Hz 1.0 W.
10	Abnormal Sound Test	Must be Normally Tested By 6.32 Volts Sine Wave.
11	Load Test	White Noise with Weighted Filter 6.32 Volts. (RMS) 48 Hrs.
12	Operation Temperature	-25°C ~ +60°C
13	Storage Temperature	-40°C ~ +70°C
14	Polarity	Diaphragm shall move Forward when Apply a Positive DC Current to the "+" or "Marked" Terminal.
15	Remarks	Above specifications on the strength of CNS4784 and CNS4785.

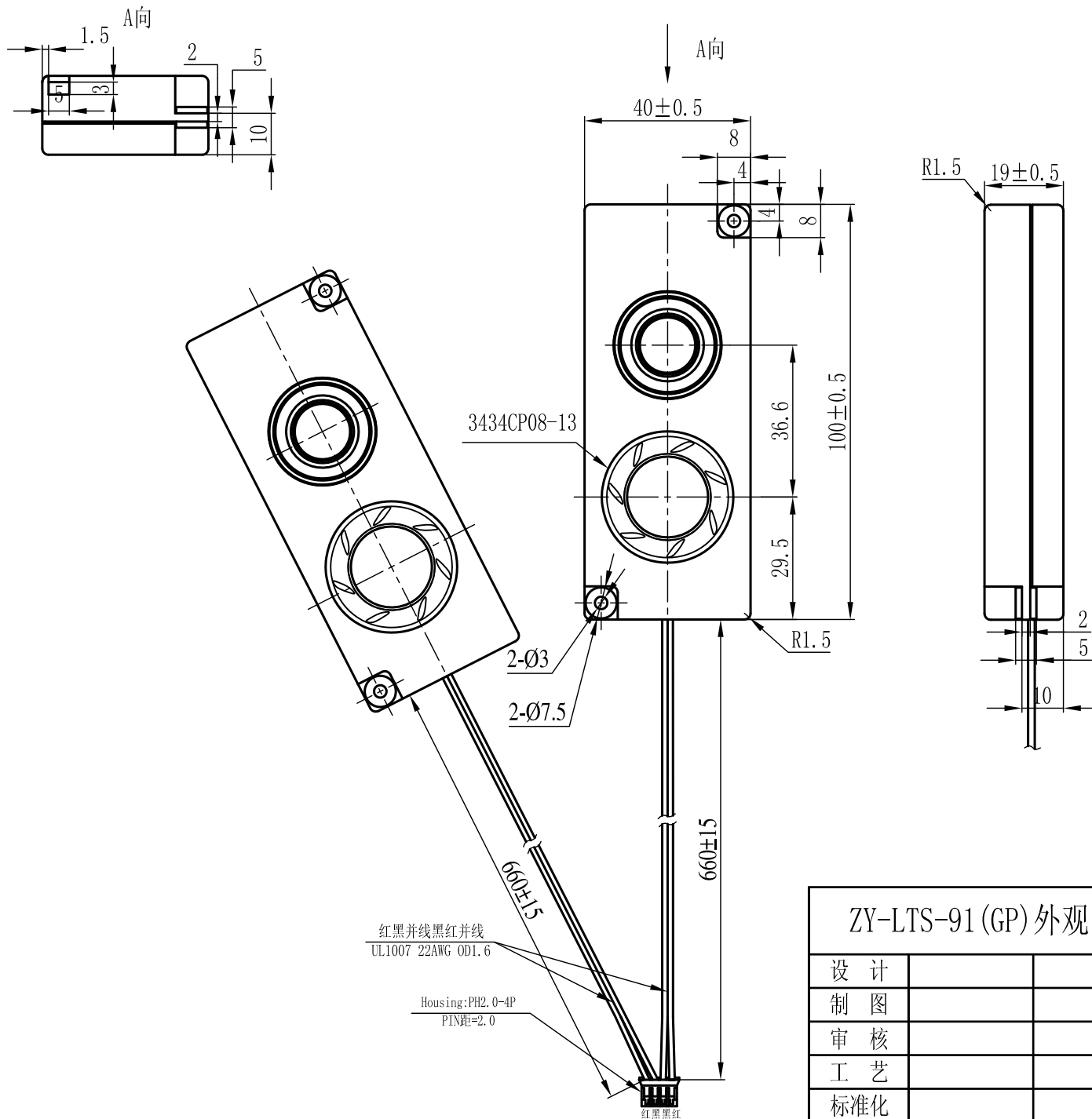


Dimension:
details see drawing name “ZY-LTS-91(GP)外观图”。

Admitted:

Approved:

Made:



ZY-LTS-91 (GP) 外观图		产品名称		ZY-LTS-91 (GP) 型音箱	
		图号		FC-ZY-LTS-91 (GP)-	
设计		料号			
制图		比例	1:1.5	数量	
审核		材料		重量	
工艺		共 1 页 第 1 页			
标准化		泉州豐勤電子有限公司 QUANZHOU FENGQIN ELECTRONIC CO., LTD.			
批准					