

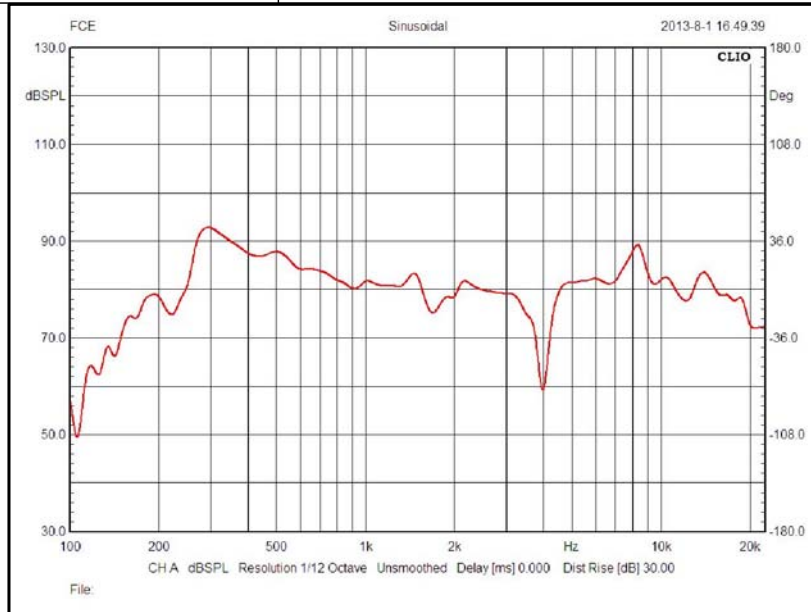
泉州豐群電子有限公司

C.C. FENG CHIUN ELECTRONIC CO., LTD.

OFFICE: TEL:+886-2-82522781
FAX:+886-2-82522782

FACTORY: TEL:+86-595-22632579
FAX:+86-595-22639258

1	MODEL	100164BOX-01(GP)
2	Dimension	100.0X164.0X32.0H Weight 200.7 Gram.
3	Magnet	Materials Ferrite Size $\phi 40.0X\phi 18.0X8$ mm.
4	Nominal Impedance	6 Ohm $\pm 15\%$
5	Power Rating	Normal 10.0 W. Maximum 15.0 W.
6	Lowest Resonant Frequency	320 \pm 64 Hz
7	Output Sound Pressure Level	84 \pm 3 dB / 1 Watt 1 Meter.
		Average at 500,600,800,1000 Hz
8	Frequency Range	180~20K Hz. Average SPL-10 dB.
9	Distortion	5 % Maximum At 1000 Hz 1.0 W.
10	Abnormal Sound Test	Must be Normally Tested By 7.75 Volts Sine Wave.
11	Load Test	White Noise with Weighted Filter 7.75 Volts. (RMS) 96 Hrs.
12	Operation Temperature	-25°C ~ +70°C
13	Storage Temperature	-40°C ~ +85°C
14	Polarity	Diaphragm shall move Forward when Apply a Positive DC
		Current to the "+" or "Marked" Terminal.
15	Remarks	Above specifications on the strength of CNS4784 and CNS4785.



Bill of Material	
ITEM	SPEC.
SURROUND	FOAM
CONE	PAPER
DUST CAP	PAPER

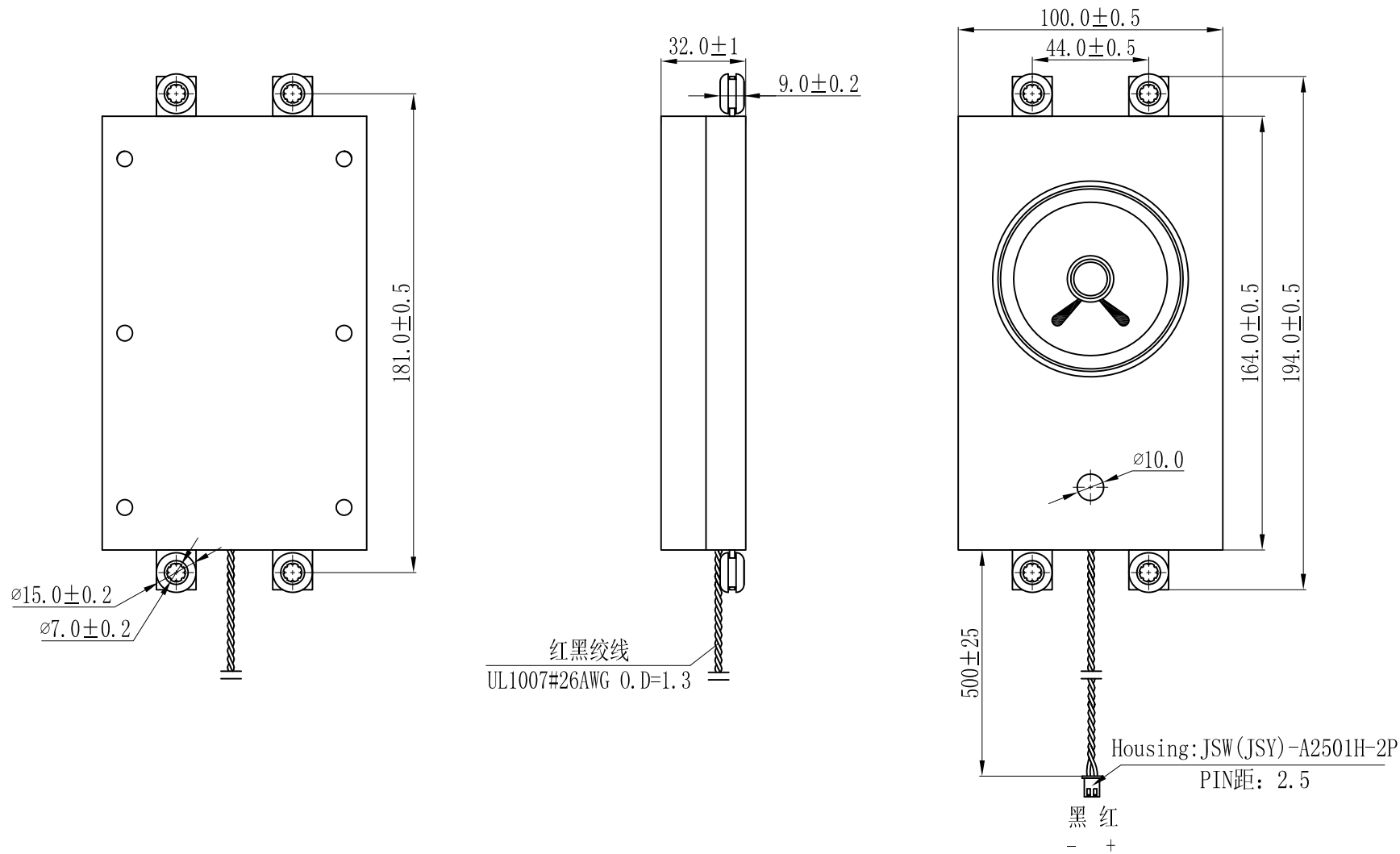
Dimension:
details see drawing name “100164BOX-01(GP)外观图”

Unit:mm

Admitted:

Approved:

Made:



100164BOX-01 (GP) 外观图			产品名称		100164BOX-01 (GP) 型音箱	
设计			料号			
制图			比例	1:2.3	数量	
审核			材料		重量	
工艺			共 1 页 第 1 页			
标准化			 泉州丰勤电子有限公司 QUANZHOU FENGGIN ELECTRONIC CO., LTD.			
批准						